



# MARETTI

L I G H T I N G



Maretti Lighting  
Bolderweg 7

1332 AX Almere  
the Netherlands

T +31 (0) 36 532 66 12

E info@maretti.com  
W www.maretti.com

Maretti Lighting is well-known in the World of interior design. In businesses, homes, store chains, and hospitality facilities all over the world, Maretti is unmistakable present with its project lighting that does more than just provide light. We make lighting an essential part of the interior. Maretti stands for stylish top quality and trendsetting design, modern, timeless and most of all, original.

Maretti Lighting works with all the top brands in the lighting industry, but we are especially notable for our own large product line and introduce our own brand name "Maretti". Our production team distinguishes itself time and time again with unique innovations from our own atelier and therefore our projects exude an entirely unique identity.

© Copyright Maretti Projectverlichting.

Our IM was made with the greatest of care. Nevertheless, the colours displayed in the IM may differ slightly from the real colours because of the printing process. Colour, size and range are subject to change. Nothing from this IM may be copied, reproduced and/or published by print, photocopy or in any other way without Maretti Lighting's written permission. All product and design copyrights belong to Maretti Lighting.

#### GUARANTEE TERMS AND CONDITIONS

The other party should inspect the delivered items immediately upon receipt with regard to its soundness. Entitlements to repair or replacement only exist if the other party

- In the case of visible defects, informs MPV of them immediately.

- In the case of defects that are not visible, informs MPV in writing of the defects, within 2 working days after the day the defects were found, or in all reason could have been found and furthermore demonstrates that the MPV instructions for use, maintenance and operation were followed, whilst the defects are not the consequence of normal wear and tear, misuse, negligence, accident, exceeding the limits prescribed by the MPV or by the legal safety regulations, or, in the case of a repair or change without MPV's consent or the consent of its recognised repairer, there will be no entitlement to repairs or replacement. The parts that have to be replaced must be made available free of charge to MPV. Noncompliance by the other party to one or more of its obligations will release MPV of all its guarantee obligations. In the case of assembly of the other party's own products by Maretti, MPV will release itself from all guarantee stipulations.

Moreover, our general delivery terms and conditions are applicable. These can be obtained from Maretti or can be downloaded from [www.maretti.com](http://www.maretti.com)

The installation must be done by a competent installer. Maretti recommends that your (outside) lighting and fixtures are inspected and maintained annually.

D: Für Garantiebedingungen bitte lesen Sie unsere Webseite [www.maretti.com](http://www.maretti.com)  
E: Consulte nuestro sitio web para los condiciones de garantía [www.maretti.com](http://www.maretti.com)  
FR: Consultez notre site web pour les conditions de garantie [www.maretti.com](http://www.maretti.com)  
NL: Voor garantievoorwaarden zie onze website [www.maretti.com](http://www.maretti.com)

400.0000.28 WHITE Ø300mm NOOD\*  
400.0000.31 BLACK Ø300mm NOOD\*  
400.0000.33 WHITE Ø300mm\*  
400.0000.34 BLACK Ø300mm\*

## FELLITO CEILING MOUNTED SERIES

1/4

ADJUSTABLE  
SENSOR



BLACK WHITE



AC100-240V	VOLTAGE	0,9	POWER FACTOR	40.000 hours	LIFETIME
	INCL. LED (C.O.B.)	<0.4	SVM	-20°C~45°C	TEMP.
3000K	KELVIN	<1	PstLM		CE MARK
Ra80	CRI	120°	BEAM AGNLE		
	INDOOR		CLASS II		

\*: INFORMATIE PER ARMATUUR  
INFORMATION PER FIXTURE

ART. NR.	DESCRIPTION	WATT	IP RATING	LUMEN
400.0000.28	NOOD + ADJ.Sensor	18W	IP40	1700 lm
400.0000.31	NOOD + ADJ.Sensor	18W	IP40	1700 lm
400.0000.33	ADJ.Sensor	18W	IP54	1700 lm
400.0000.34	ADJ.Sensor	18W	IP54	1700 lm

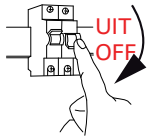
Dit product bevat een lichtbron van energie-efficiëntieklasse D  
This product contains a light source of energy efficiency class D



400.0000.28 WHITE Ø300mm NOOD  
 400.0000.31 BLACK Ø300mm NOOD  
 400.0000.33 WHITE Ø300mm  
 400.0000.34 BLACK Ø300mm

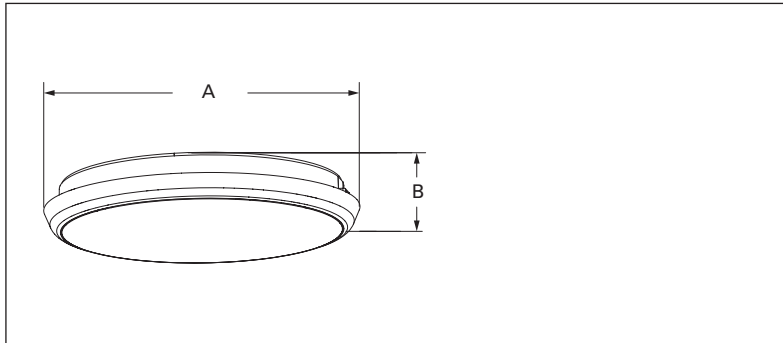
# FELLITO CEILING MOUNTED SERIES ADJUSTABLE SENSOR

## INSTRUCTIONS




Schakel altijd eerst de stroom uit voordat u installatie-, onderhouds- of reparatiewerkzaamheden uitvoert.

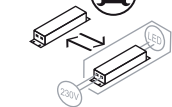
Always switch off the mains voltage before carrying out installation, maintenance and repair work.



ART. NR.	A	B
400.0000.28	Ø300mm	48mm
400.0000.31	Ø300mm	48mm
400.0000.33	Ø300mm	48mm
400.0000.34	Ø300mm	48mm

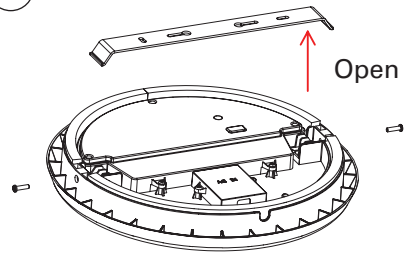


Replaceable (LED only) light source by a professional



Replaceable control gear by a professional

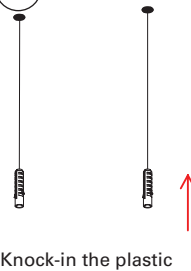
1



Open

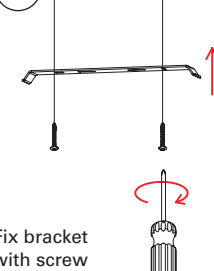
Remove screw, take out bracket.

2



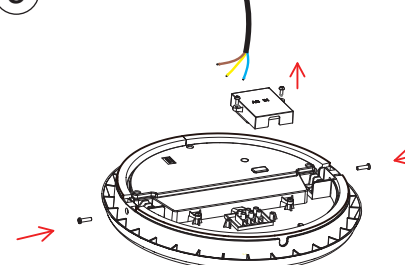
Knock-in the plastic anchor into ceiling

3



Fix bracket with screw into the ceiling

5



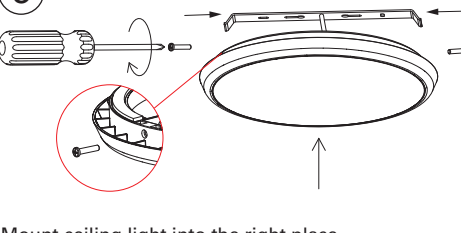
Replaceable (LED only) light source by a professional

Replaceable control gear by a professional

(A) wiring diagram only for NON-emergency function light.  
 (B) wiring diagram only for Emergency function light.  
 Fix bracket with screws into the ceiling.

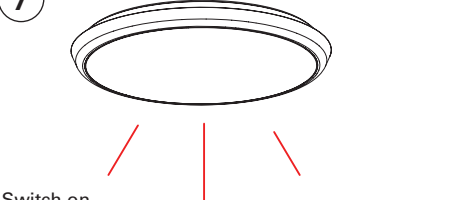
A=UNSWITCHED  
 L=SWITCHED  
 N=NEUTRAL

6



Mount ceiling light into the right place

7



Switch on



**LET OP:** Volg en bewaar deze gebruiksaanwijzing.  
 - Zorg ervoor dat de netspanning uitgeschakeld is voor installatie, reparatie of onderhoud. (Installatie, reparatie en onderhoud uitsluitend door gekwalificeerde personen).  
 - Voor reparatie of onderhoud uitsluitend originele delen gebruiken. Probeer het product niet zelf te demonteren en te repareren, onjuiste reparaties kunnen het product beschadigen en elektrische schokken veroorzaken wat tot ernstig letsel kan leiden.  
 - Gebruik het armatuur alleen binnenshuis.  
 - Het armatuur niet in vochtige of natte ruimte gebruiken.  
 - Uitsluitend op het etiket aangegeven lichtbronnen gebruiken.

De fabrikant aanvaardt geen enkele aansprakelijkheid voor letsel of schade als gevolg van een verkeerde toepassing van het armatuur.  
 De fabrikant aanvaardt geen garantie in geval van het niet behandelen van de lampen volgens de richtlijnen van de fabrikant.  
 Als er schade aan elektrische onderdelen te vinden zijn, vraag dan een elektricien om het te vervangen.

**Onderhoud is behoud:**  
 Een goede instandhouding van het armatuur is sterk afhankelijk van omgevings- en onderhoudsfactoren. Hierop kunnen wij geen invloed uitoefenen.  
 - Schakel voor de zekerheid de elektriciteit uit!  
 - Gebruik geen agressieve, schurende of chemische schoonmaakmiddelen.

**NOTE:** Follow and keep this instructions manual.  
 - Make sure that the mains voltage is switched off before installation, reparation or maintenance. (Installation, reparation and maintenance only by qualified persons).  
 - Use only original parts for repairs or maintenance. Never attempt to disassemble, repair or alter the product in any way, improper repairs could damage the product causing electrical shocks which may cause serious injury.  
 - Use the fixture only indoors.  
 - Don't use the fixture in humid or wet areas.  
 - Use only suitable light sources indicated on the label.

The manufacturer accepts no liability for any injuries or damages resulting from the incorrect use or installation of the fixture.  
 Any operation performed on the fixture that is not in accordance with instructions will void manufacturer's warranty.  
 If you find any damage to the electrical parts, please ask a qualified electrician to replace it.

**Maintenance is preservation:**  
 A good preservation of the fixture is highly dependent on environmental factors and maintenance. We cannot exercise any influence on this.  
 - Make sure that the mains voltage is switched off before you begin.  
 - Do not use aggressive, abrasive or chemical cleaners.

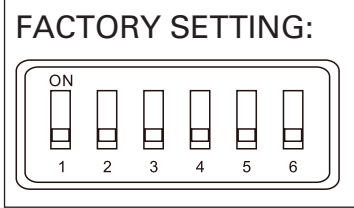
"No rights can be derived from the information provided on this Instruction Manual. Information on the Instruction Manual has been compiled with the utmost care and is updated on a continuous basis. Nevertheless MARETTI cannot guarantee that all information is free of errors, complete or fully up to date."

400.0000.28 WHITE Ø300mm NOOD  
 400.0000.31 BLACK Ø300mm NOOD  
 400.0000.33 WHITE Ø300mm  
 400.0000.34 BLACK Ø300mm

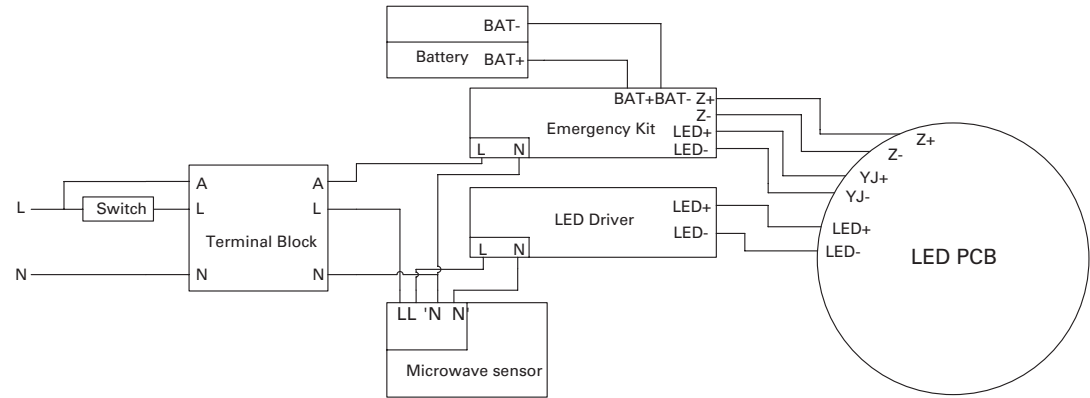
# FELLITO CEILING MOUNTED SERIES ADJUSTABLE SENSOR

## INSTRUCTIONS

### DAYLIGHT & MICROWAVE SENSOR:



### WIRING DIAGRAM:



### SENSOR SETTING:

Detection Area	
1	2
● ●	25%
●	50%
●	75%
	100%

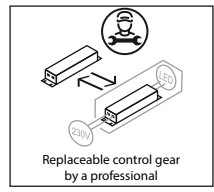
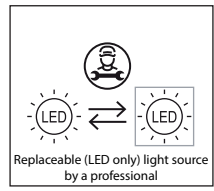
**Detection area:**  
**Detection area can be reduced by selecting the combination on the DIP switches to fit precisely each application.**  
 Notice 1: The test is based on a height of 3m, the radius is the ground detect distance, which can be selected through the slide switch.  
 Notice 2: The detectable range is measured by human body whose stature is around 1.6-1.7M with medium size and traveling speed is around 1.0-1.5M per second. If the stature, bodily form and traveling speed are changed, then the detectable range will be changed accordingly.  
 Notice 3: Test result will be highly influenced by test environment, the more open environment, the closer detect distance; the narrower environment, the longer detect distance. The detector may do self-excitation in a narrow environment.

Hold Time	
3	4
● ●	10Min
●	3Min
●	60S
	20S

**Hold time:**  
**Refers to the time period the lamp remains at 100% illumination after no motion detected.**  
 Notice 1: The hold time can be selected by the slide switch.  
 The hold time counting should be started after the sensor is powered on and initialized.

Daylight Sensor	
5	6
● ●	5Lux
●	10Lux
●	50Lux
	Disable

**Daylight sensor:**  
**The sensor can be set to only allow the lamp to illuminate below a defined ambient brightness threshold. When set to Disable mode, the daylight sensor will switch on the lamp when motion is detected regardless of ambient light level.**  
 Notice 1: The light threshold can be selected through the slide switch, it may cause a large deviation in different lamps.



**LET OP:** Volg en bewaar deze gebruiksaanwijzing.  
 - Zorg ervoor dat de netspanning uitgeschakeld is voor installatie, reparatie of onderhoud. (Installatie, reparatie en onderhoud uitsluitend door gekwalificeerde personen).  
 - Voor reparatie of onderhoud uitsluitend originele delen gebruiken. Probeer het product niet zelf te demonteren en te repareren, onjuiste reparaties kunnen het product beschadigen en elektrische schokken veroorzaken wat tot ernstig letsel kan leiden.  
 - Gebruik het armatuur alleen binnenshuis.  
 - Het armatuur niet in vochtige of natte ruimte gebruiken.  
 - Uitsluitend op het etiket aangegeven lichtbronnen gebruiken.

De fabrikant aanvaardt geen enkele aansprakelijkheid voor letsel of schade als gevolg van een verkeerde toepassing van het armatuur.  
 De fabrikant aanvaardt geen garantie in geval van het niet behandelen van de lampen volgens de richtlijnen van de fabrikant.  
 Als er schade aan elektrische onderdelen te vinden zijn, vraag dan een elektricien om het te vervangen.

**Onderhoud is behoud:**  
 Een goede instandhouding van het armatuur is sterk afhankelijk van omgevings- en onderhoudsfactoren. Hierop kunnen wij geen invloed uitoefenen.  
 - Schakel voor de zekerheid de elektriciteit uit!  
 - Gebruik geen agressieve, schurende of chemische schoonmaakmiddelen.

**NOTE:** Follow and keep this instructions manual.  
 - Make sure that the mains voltage is switched off before installation, repair or maintenance. (Installation, repair and maintenance only by qualified persons).  
 - Use only original parts for repairs or maintenance. Never attempt to disassemble, repair or alter the product in any way, improper repairs could damage the product causing electrical shocks which may cause serious injury.  
 - Use the fixture only indoors.  
 - Don't use the fixture in humid or wet areas.  
 - Use only suitable light sources indicated on the label.

The manufacturer accepts no liability for any injuries or damages resulting from the incorrect use or installation of the fixture.  
 Any operation performed on the fixture that is not in accordance with instructions will void manufacturer's warranty.  
 If you find any damage to the electrical parts, please ask a qualified electrician to replace it.

**Maintenance is preservation:**  
 A good preservation of the fixture is highly dependent on environmental factors and maintenance. We cannot exercise any influence on this.  
 - Make sure that the mains voltage is switched off before you begin.  
 - Do not use aggressive, abrasive or chemical cleaners.

"No rights can be derived from the information provided on this Instruction Manual. Information on the Instruction Manual has been compiled with the utmost care and is updated on a continuous basis. Nevertheless Maretti cannot guarantee that all information is free of errors, complete or fully up to date."

400.0000.28 WHITE Ø300mm NOOD\*  
 400.0000.31 BLACK Ø300mm NOOD\*  
 400.0000.33 WHITE Ø300mm\*  
 400.0000.34 BLACK Ø300mm\*

# FELLITO CEILING MOUNTED SERIES ADJUSTABLE SENSOR

## INSTRUCTIONS

### DRIVER DATASHEET (SENSOR SS)

Sensor datasheet	
Operating Voltage	AC200-240V
Power consumption	1.5W±0.5W
Microwave frequency	5.8GHz±75MHz, ISM wave band
Transmission power	<0.5mW
Detection angle	140°
Detection Area	5-7m(100%/75%/50%/25%)
Hold time	20S/60S/3min/10min
Daylight sensor	5lux/10Lux/50lux/disable
Installation Height	Recommended Installation Height: Ceiling mounted height 3m.
Operating temperature(°C)	-20°C-60°C

### DRIVER DATASHEET (EMERGENCY)

Power	
Rated Input Voltage(V)	AC230V
Frequency	50/60Hz
Input Voltage	AC200-240V
Total load wattage	3W±0.5W
Rated Input Current	≤0.03A <sub>z</sub>
Battery	6.4V 1500mAh (LiFePO4)
Lifetime	Over 2000 cycles
Battery duration	≥3hrs
Charge Period	≤24hrs
Emergency switching time	≤1S

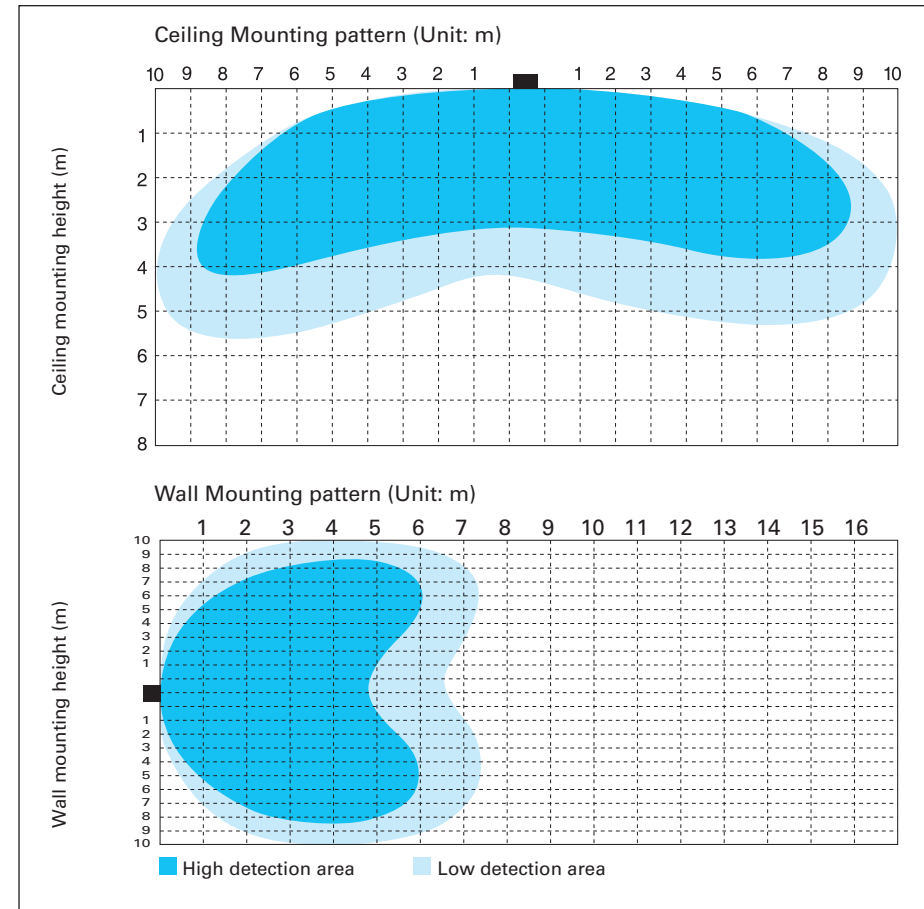
Maximale belasting voor B16 automaat  
 Boven deze aantallen adviseren wij een relais te gebruiken.  
 12W 24 stuks  
 18W 20 stuks

Inschakel charge time  
 12W 43,2 µs  
 18W 56 µs

Maximum load for B16 automatic  
 We advise using a relay for numbers above these.  
 12W 24 pieces  
 18W 20 pieces

Turn-on charge time  
 12W 43.2 µs  
 18W 56 µs

### DETECTION PATTERN



#### LET OP: Volg en bewaar deze gebruiksaanwijzing.

- Zorg ervoor dat de netspanning uitgeschakeld is voor installatie, reparatie of onderhoud. (Installatie, reparatie en onderhoud uitsluitend door gekwalificeerde personen).
- Voor reparatie of onderhoud uitsluitend originele delen gebruiken. Probeer het product niet zelf te demonteren en te repareren, onjuiste reparaties kunnen het product beschadigen en elektrische schokken veroorzaken wat tot ernstig letsel kan leiden.
- Gebruik het armatuur alleen binnenshuis.
- Het armatuur niet in vochtige of natte ruimte gebruiken.
- Uitsluitend op het etiket aangegeven lichtbronnen gebruiken.

De fabrikant aanvaardt geen enkele aansprakelijkheid voor letsel of schade als gevolg van een verkeerde toepassing van het armatuur.  
 De fabrikant aanvaardt geen garantie in geval van het niet behandelen van de lampen volgens de richtlijnen van de fabrikant.  
 Als er schade aan elektrische onderdelen te vinden zijn, vraag dan een elektricien om het te vervangen.

#### Onderhoud is behoud:

- Een goede instandhouding van het armatuur is sterk afhankelijk van omgevings- en onderhoudsfactoren. Hierop kunnen wij geen invloed uitoefenen.
- Schakel voor de zekerheid de elektriciteit uit!
- Gebruik geen agressieve, schurende of chemische schoonmaakmiddelen.

#### NOTE: Follow and keep this instructions manual.

- Make sure that the mains voltage is switched off before installation, repair or maintenance. (Installation, repair and maintenance only by qualified persons).
- Use only original parts for repairs or maintenance. Never attempt to disassemble, repair or alter the product in any way, improper repairs could damage the product causing electrical shocks which may cause serious injury.
- Use the fixture only indoors.
- Don't use the fixture in humid or wet areas.
- Use only suitable light sources indicated on the label.

The manufacturer accepts no liability for any injuries or damages resulting from the incorrect use or installation of the fixture.  
 Any operation performed on the fixture that is not in accordance with instructions will void manufacturer's warranty.  
 If you find any damage to the electrical parts, please ask a qualified electrician to replace it.

#### Maintenance is preservation:

- A good preservation of the fixture is highly dependent on environmental factors and maintenance. We cannot exercise any influence on this.
- Make sure that the mains voltage is switched off before you begin.
- Do not use aggressive, abrasive or chemical cleaners.

"No rights can be derived from the information provided on this Instruction Manual. Information on the Instruction Manual has been compiled with the utmost care and is updated on a continuous basis. Nevertheless Maretti cannot guarantee that all information is free of errors, complete or fully up to date."