



# MARETTI LIGHTING



Maretti Lighting  
Bolderweg 7

1332 AX Almere  
the Netherlands

T +31 (0) 36 532 66 12  
F +31 (0) 36 532 17 35

E info@maretti.com  
W www.maretti.com

Maretti Lighting is well-known in the World of interior design. In businesses, homes, store chains, and hospitality facilities all over the world, Maretti is unmistakable present with its project lighting that does more than just provide light. We make lighting an essential part of the interior. Maretti stands for stylish top quality and trendsetting design, modern, timeless and most of all, original.

Maretti Lighting works with all the top brands in the lighting industry, but we are especially notable for our own large product line and introduce our own brand name "Maretti". Our production team distinguishes itself time and time again with unique innovations from our own atelier and therefore our projects exude an entirely unique identity.

© Copyright Maretti Projectverlichting.

Our IM was made with the greatest of care. Nevertheless, the colours displayed in the IM may differ slightly from the real colours because of the printing process. Colour, size and range are subject to change. Nothing from this IM may be copied, reproduced and/or published by print, photocopy or in any other way without Maretti Lighting's written permission. All product and design copyrights belong to Maretti Lighting.

#### GUARANTEE TERMS AND CONDITIONS

The other party should inspect the delivered items immediately upon receipt with regard to its soundness. Entitlements to repair or replacement only exist if the other party

- In the case of visible defects, informs MPV of them immediately.

- In the case of defects that are not visible, informs MPV in writing of the defects, within 2 working days after the day the defects were found, or in all reason could have been found and furthermore demonstrates that the MPV instructions for use, maintenance and operation were followed, whilst the defects are not the consequence of normal wear and tear, misuse, negligence, accident, exceeding the limits prescribed by the MPV or by the legal safety regulations, or, in the case of a repair or change without MPV's consent or the consent of its recognised repairer, there will be no entitlement to repairs or replacement. The parts that have to be replaced must be made available free of charge to MPV. Noncompliance by the other party to one or more of its obligations will release MPV of all its guarantee obligations. In the case of assembly of the other party's own products by Maretti, MPV will release itself from all guarantee stipulations.

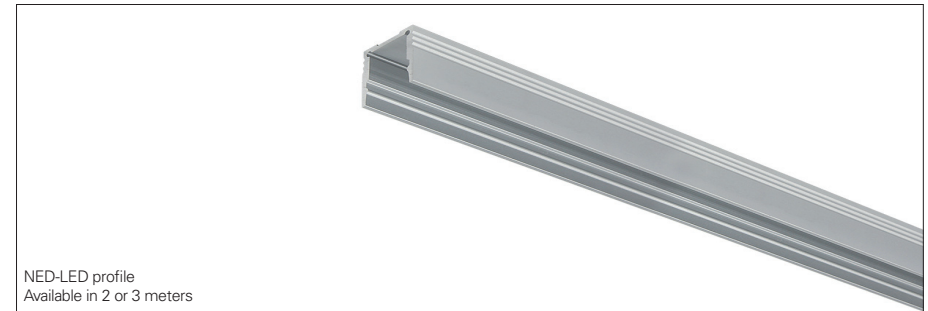
Moreover, our general delivery terms and conditions are applicable. These can be obtained from Maretti or can be downloaded from [www.maretti.com](http://www.maretti.com)

The installation must be done by a competent installer. Maretti recommends that your (outside) lighting and fixtures are inspected and maintained annually.

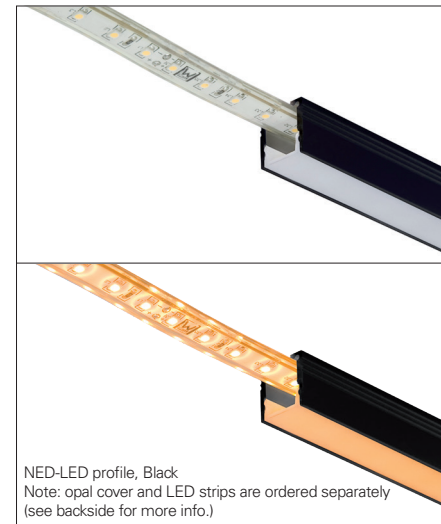
D: Für Garantiebedingungen bitte lesen Sie unsere Webseite [www.maretti.com](http://www.maretti.com)  
E: Consulte nuestro sitio web para los condiciones de garantía [www.maretti.com](http://www.maretti.com)  
FR: Consultez notre site web pour les conditions de garantie [www.maretti.com](http://www.maretti.com)  
NL: Voor garantievoorwaarden zie onze website [www.maretti.com](http://www.maretti.com)

19.7348.COLOUR 2 METERS  
19.7350.COLOUR.A 3 METERS

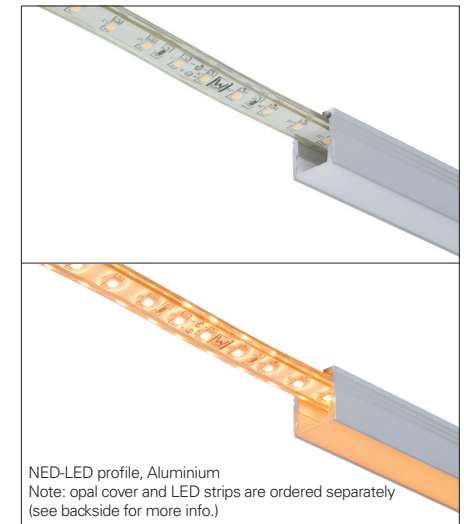
## NED-LED PROFILE



NED-LED profile  
Available in 2 or 3 meters



NED-LED profile, Black  
Note: opal cover and LED strips are ordered separately (see backside for more info.)



NED-LED profile, Aluminium  
Note: opal cover and LED strips are ordered separately (see backside for more info.)

BLACK ALUMINIUM



	INDOOR
	CE MARK


**19.7348.COLOUR 2 METERS**  
**19.7350.COLOUR.A 3 METERS**

# NED-LED PROFILE

INFO.

**Note:** Profiles, opal covers and end caps are ordered separately. **Opmerking:** De accessoires zijn apart te bestellen. The LED strip **must** be mounted on an aluminum profile due to heat dissipation. Peel off the tape backing so you can stick the LED strip on an aluminium profile. De led strip **moet** op een aluminium profiel gemonteerd worden i.v.m. warmte afvoer. Haal het papier van de plakband eraf om de LED strip op een aluminium profiel te kunnen plakken.

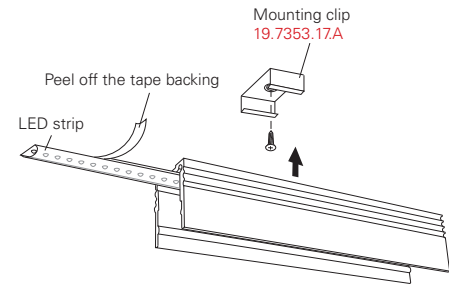
NED-LED ACCESSORIES (SEPARATE ORDER)			
OPAL COVER			<b>19.7347.05</b>
END CAP			<b>19.7354.07.A</b>
MOUNTING CLIP			<b>19.7353.17.A</b>
LED STRIPS (SEPARATE ORDER)			
FLASH LED	24W   24V   IP20   RA90   5000X8mm	2400K	<b>19.8400.82</b>
FLASH LED	24W   24V   IP20   RA90   5000X8mm	2700K	<b>19.8401.82</b>
FLASH LED	24W   24V   IP20   RA90   5000X8mm	3000K	<b>19.8402.82</b>
FLASH LED	24W   24V   IP67   RA90   5000X12mm	2700K	<b>19.8408.82</b>
FLASH LED	48W   24V   IP20   RA90   5000X8mm	2400K	<b>19.8414.82</b>
FLASH LED	48W   24V   IP20   RA90   5000X8mm	2700K	<b>19.8415.82</b>
FLASH LED	48W   24V   IP20   RA90   5000X8mm	3000K	<b>19.8416.82</b>
FLASH LED	48W   24V   IP67   RA90   5000X12mm	2700K	<b>19.8422.82</b>
FLASH LED	48W   24V   IP67   RA90   5000X12mm	3000K	<b>19.8423.82</b>
FLASH LED	48W   24V   IP67   RA90   5000X10mm	2700K	<b>19.8429.82</b>
FLASH LED	48W   24V   IP67   RA90   5000X10mm	3000K	<b>19.8430.82</b>
FLASH LED	96W   24V   IP20   RA90   5000X8mm	2700K	<b>19.8501.82</b>
FLASH LED	96W   24V   IP20   RA90   5000X8mm	3000K	<b>19.8502.82</b>
ULTRA LED	57,6W   24V   IP67   RA90   5000X12mm	2700K	<b>19.8508.82</b>
BRIGHT LED	72W   24V   IP20   RGB   5000X10mm	RGB	<b>19.8600.33</b>
BRIGHT LED	72W   24V   IP67   RGB   5000X12mm	RGB	<b>19.8604.33</b>
MIX LED	72W   24V   IP20   RGB+WW   5000X10mm	RGB+WW 2700K	<b>19.8611.34.A</b>
MIX LED	48W   24V   IP20   RGB+WW   5000X10mm	RGB+WW 2700K	<b>19.8612.34</b>
MIX LED	72W   24V   IP67   RGB+WW   5000X12mm	RGB+WW 2700K	<b>19.8615.34</b>
MIX LED	96W   24V   IP20   RGB+TW   5000X12mm	RGB+TW 2400-6500K	<b>19.8616.35</b>
TUNABLE WHITE LED	48W   24V   IP20   TW   5000X10mm	TW 2000-5000K	<b>19.8640.92</b>
TUNABLE WHITE LED	96W   24V   IP20   TW   5000X10mm	TW 2000-5000K	<b>19.8643.92</b>



Schakel altijd eerst de stroom uit voordat u installatie-, onderhouds- of reparatiewerkzaamheden uitvoert.

Always switch off the mains voltage before carrying out installation, maintenance and repair work.

Note: First decrease the profile before the LED strip can be placed

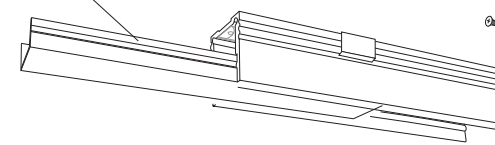


Peel off the tape backing

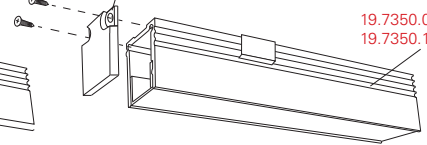
LED strip

Mounting clip 19.7353.17.A

Opal plastic cover  
19.7346.05 2M / 19.7347.05 3M



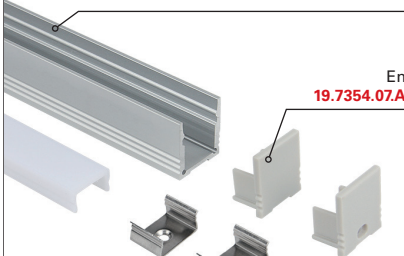
End cap  
19.7354.07.A



Profile  
19.7348.04 2M Black  
19.7348.14 2M Aluminium  
19.7350.04.A 3M Black  
19.7350.14.A 3M Aluminium

Profile 2M  
19.7348.04 Black  
19.7348.14 Aluminium

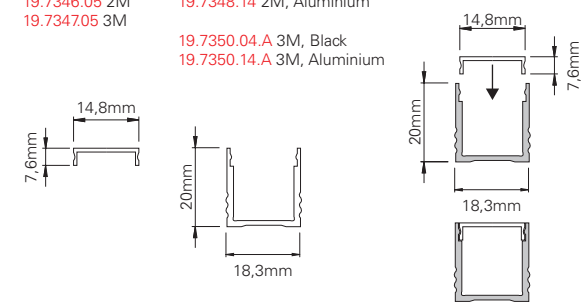
Profile 3M  
19.7350.04.A Black  
19.7350.14.A Aluminium



NED-LED Opal cover (separate order)  
19.7346.05 2M  
19.7347.05 3M

NED-LED Profile 2M and 3M  
19.7348.04 2M, Black  
19.7348.14 2M, Aluminium  
19.7350.04.A 3M, Black  
19.7350.14.A 3M, Aluminium

NED-LED Opal cover and Profile assembled



Opal cover 2M  
19.7346.05 White  
Opal cover 3M  
19.7347.05 White

End cap  
19.7354.07.A Grey

Mounting clips  
19.7353.17.A Aluminium



**LET OP:** Volg en bewaar deze gebruiksaanwijzing.  
 - Zorg ervoor dat de netspanning uitgeschakeld is voor installatie, reparatie of onderhoud. (Installatie, reparatie en onderhoud uitsluitend door gekwalificeerde personen).  
 - Voor reparatie of onderhoud uitsluitend originele delen gebruiken. Probeer het product niet zelf te demonteren en te repareren, onjuiste reparaties kunnen het product beschadigen en elektrische schokken veroorzaken wat tot ernstig letsel kan leiden.  
 - Gebruik het armatuur alleen binnenshuis.  
 - Het armatuur niet in vochtige of natte ruimte gebruiken.  
 - Uitsluitend op het etiket aangegeven lichtbronnen gebruiken.

De fabrikant aanvaardt geen enkele aansprakelijkheid voor letsel of schade als gevolg van een verkeerde toepassing van het armatuur.  
 De fabrikant aanvaardt geen garantie in geval van het niet behandelen van de lampen volgens de richtlijnen van de fabrikant.  
 Als er schade aan elektrische onderdelen te vinden zijn, vraag dan een electricien om het te vervangen.

**Onderhoud is behoud:**  
 Een goede instandhouding van het armatuur is sterk afhankelijk van omgevings- en onderhoudsfactoren. Hierop kunnen wij geen invloed uitoefenen.  
 - Schakel voor de zekerheid de elektriciteit uit!  
 - Gebruik geen agressieve, schurende of chemische schoonmaakmiddelen.

\*No rights can be derived from the information provided on this Instruction Manual. Information on the Instruction Manual has been compiled with the utmost care and is updated on a continuous basis. Nevertheless Maretti cannot guarantee that all information is free of errors, complete or fully up to date."

**NOTE:** Follow and keep this instructions manual.  
 - Make sure that the mains voltage is switched off for installation, repair or maintenance. (Installation, repair and maintenance only by qualified persons).  
 - Use only original parts for repairs or maintenance. Never attempt to disassemble, repair or alter the product in any way, improper repairs could damage the product causing electrical shocks which may cause serious injury.  
 - Use the fixture only indoors.  
 - Don't use the fixture in humid or wet areas.  
 - Use only suitable light sources indicated on the label.

The manufacturer accepts no liability for any injuries or damages resulting from the incorrect use or installation of the fixture.  
 Any operation performed on the fixture that is not in accordance with instructions will void manufacturer's warranty.  
 If you find any damage to the electrical parts, please ask a qualified electrician to replace it.

**Maintenance is preservation:**  
 A good preservation of the fixture is highly dependent on environmental factors and maintenance. We cannot exercise any influence on this.  
 - Make sure that the mains voltage is switched off before you begin.  
 - Do not use aggressive, abrasive or chemical cleaners.