



# MARETTI

L I G H T I N G



Maretti Lighting  
Bolderweg 7

1332 AX Almere  
the Netherlands

T +31 (0) 36 532 66 12  
F +31 (0) 36 532 17 35

E info@maretti.com  
W www.maretti.com

Maretti Lighting is well-known in the World of interior design. In businesses, homes, store chains, and hospitality facilities all over the world, Maretti is unmistakable present with its project lighting that does more than just provide light. We make lighting an essential part of the interior. Maretti stands for stylish top quality and trendsetting design, modern, timeless and most of all, original.

Maretti Lighting works with all the top brands in the lighting industry, but we are especially notable for our own large product line and introduce our own brand name "Maretti". Our production team distinguishes itself time and time again with unique innovations from our own atelier and therefore our projects exude an entirely unique identity.

© Copyright Maretti Projectverlichting.

Our IM was made with the greatest of care. Nevertheless, the colours displayed in the IM may differ slightly from the real colours because of the printing process. Colour, size and range are subject to change. Nothing from this IM may be copied, reproduced and/or published by print, photocopy or in any other way without Maretti Lighting's written permission. All product and design copyrights belong to Maretti Lighting.

#### GUARANTEE TERMS AND CONDITIONS

The other party should inspect the delivered items immediately upon receipt with regard to its soundness. Entitlements to repair or replacement only exist if the other party

- In the case of visible defects, informs MPV of them immediately.

- In the case of defects that are not visible, informs MPV in writing of the defects, within 2 working days after the day the defects were found, or in all reason could have been found and furthermore demonstrates that the MPV instructions for use, maintenance and operation were followed, whilst the defects are not the consequence of normal wear and tear, misuse, negligence, accident, exceeding the limits prescribed by the MPV or by the legal safety regulations, or, in the case of a repair or change without MPV's consent or the consent of its recognised repairer, there will be no entitlement to repairs or replacement. The parts that have to be replaced must be made available free of charge to MPV. Noncompliance by the other party to one or more of its obligations will release MPV of all its guarantee obligations. In the case of assembly of the other party's own products by Maretti, MPV will release itself from all guarantee stipulations. Moreover, our general delivery terms and conditions are applicable. These can be obtained from Maretti or can be downloaded from [www.maretti.com](http://www.maretti.com)

The installation must be done by a competent installer. Maretti recommends that your (outside) lighting and fixtures are inspected and maintained annually.

D: Für Garantiebedingungen bitte lesen Sie unsere Webseite [www.maretti.com](http://www.maretti.com)  
E: Consulte nuestro sitio web para los condiciones de garantía [www.maretti.com](http://www.maretti.com)  
FR: Consultez notre site web pour les conditions de garantie [www.maretti.com](http://www.maretti.com)  
NL: Voor garantievoorwaarden zie onze website [www.maretti.com](http://www.maretti.com)

14.6395.COLOUR

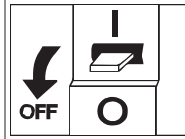
## CASIOPEA LED PLAFONNIÈRE



BLACK WHITE



100-240V	VOLTAGE		LED INCL. (SMD)	3000 K	KELVIN		DEGREE BEAM ANGLE	125°	99%	1000H LUMEN MAINTENANCE
20W	WATTAGE	>0,9	POWER-FACTOR	1500 lm	LUMEN	30.000 hours	LIFETIME LED			EARTHING
0W	STANDBY POWER		NOT DIMMABLE		OUTDOOR	25.000	SWITCHING CYCLES	-20~60°C		ENVIRON. TEMPERATURE
	DRIVER INCL.	Ra >80	CRI	65	IP RATING	<0.5s	WARM-UP TIME TO 60%			CE MARK

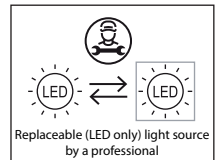
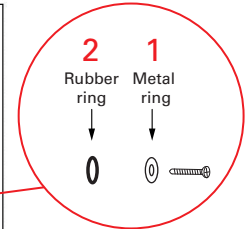
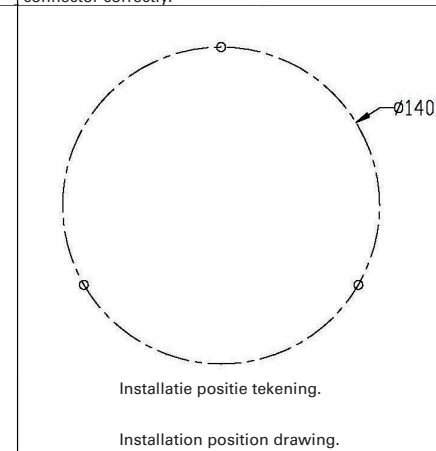
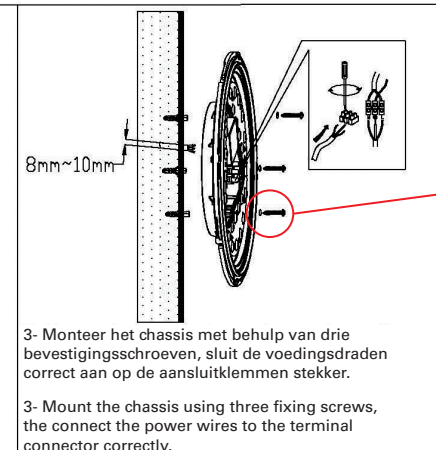
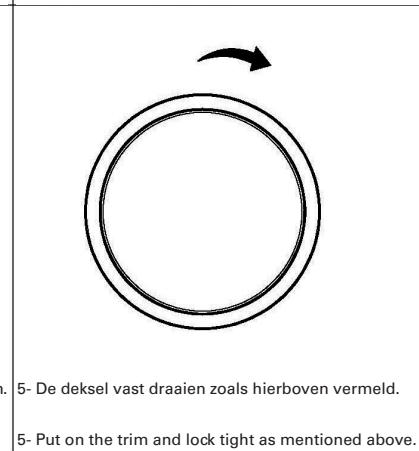
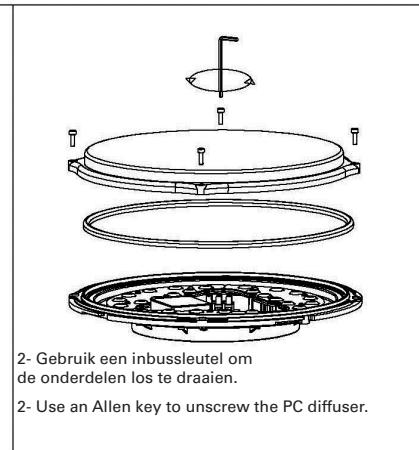
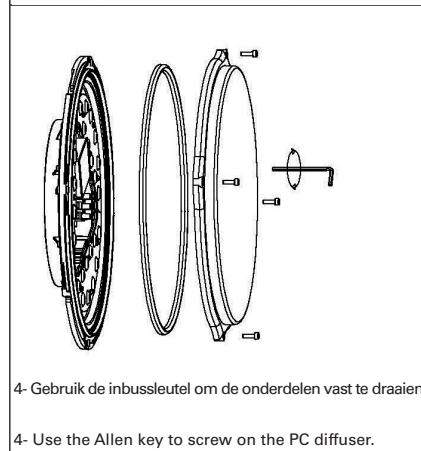
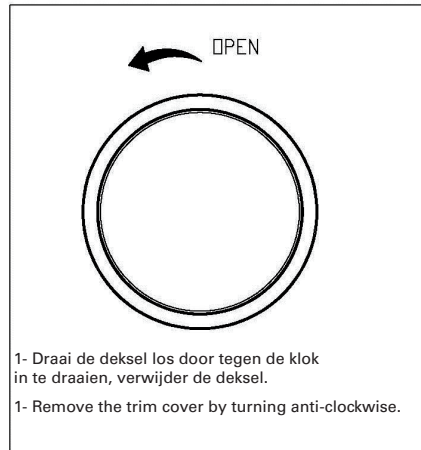
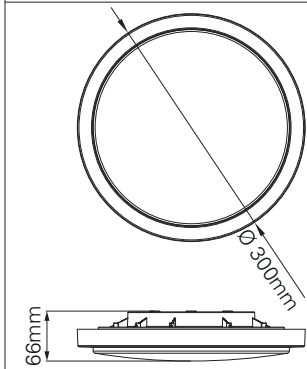
**Let op! / Notice:**

Schakel altijd eerst de stroom uit voordat u installatie-, onderhoud of reparatiewerkzaamheden uitvoert.

Always switch off the mains voltage before carrying out installation, maintenance and repair work.

1. Installatie, reparatie en onderhoud uitsluitend door gekwalificeerde elektriciens, volgens de NEN-bedringsregels.
2. De stroomtoevoerkabel door de rubberen kliër mag geen openingen rond het uitlaatgat hebben, waardoor er water kan binnendringen en de IP-classificatie ongeldig maken.
3. Monteer de fitting via de drie bevestigingsschroefgaten op de onderkant van het chassis. Zorg ervoor dat er geen waterlekage plaatsvindt.
4. Nadat u het chassis en de diffusor hebt geïnstalleerd, plaatst u de vier palen op de binnenste deksel in lijn met de sleuven van het chassis en past u deze in de richting van de wijzers van de klok om ze vast te zetten. Zorg ervoor dat deze stevig genoeg is vergrendeld om te voorkomen dat de deksel eraf valt.

1. Must be installed by qualified electricians according to NEN wiring rules.
2. Power inlet cable through the rubber gland must not leave gaps around inlet hole, which can allow water to get in and void the IP rating.
3. Mount the fitting via the three fixing screw holes on the base of chassis. Make sure no water can leak in.
4. After installing the chassis and diffuser, align the four poles on the inner trim cover with the slots of the chassis, then fit in and turn trim clockwise to lock in, make sure it is locked tight enough to avoid trim cover from falling off.

**LET OP:**

- Volg en bewaar deze gebruiksaanwijzing.
- Zorg ervoor dat de netspanning uitgeschakeld is voor installatie, reparatie of onderhoud. (Installatie, reparatie en onderhoud uitsluitend door gekwalificeerde personen).
- Om waterdichtheid te verzekeren dient u alle onderdelen handvast aan te draaien.
- Armatuur en keerringen moeten bij montage geheel schoon en droog zijn.
- Dit armatuur niet openen of installeren tijdens regen of hoge luchtvochtigheid.

De fabrikant aanvaardt geen enkele aansprakelijkheid voor letsel of schade als gevolg van een verkeerde toepassing van het armatuur. De fabrikant aanvaardt geen garantie in geval van het niet behandelen van de lampen volgens de richtlijnen van de fabrikant. Als er schade aan elektrische onderdelen te vinden zijn, vraag dan een electricien om het te vervangen.

**Onderhoud is behoud:**

- Een goede instandhouding van het armatuur is sterk afhankelijk van omgevings- en onderhoudsfactoren. Hierop kunnen wij geen invloed uitoefenen.
- Schakel de elektriciteit uit!
- Gebruik geen bijtende, chemische middelen of schurende schoonmaakmiddelen.
- Armaturen kunnen het beste schoongemaakt worden met een zachte licht vochtige doek en direct daarna met een zachte licht droge doek wrijven i.v.m. 'opdroog plekken'.

**NOTE:**

- Follow and keep this instructions manual.
- Make sure that the mains voltage is switched off for installation, repair or maintenance. (Installation, repair and maintenance only by qualified persons).
- Make sure all parts are turned hand tight to be sure the item is waterproof.
- Lighting fixture and retaining rings must be clean and dry before assembly.
- Do not open or install this luminaire during rain or highly humid condition.

The manufacturer accepts no liability for any injuries or damages resulting from the incorrect use or installation of the fixture. Any operation performed on the fixture that is not in accordance with instructions will void manufacturer's warranty. If you find any damage to the electrical parts, please ask a qualified electrician to replace it.

**Maintenance is preservation:**

- A good preservation of the fixture is highly dependent on environmental factors and maintenance. We cannot exercise any influence on this.
- Switch off the mains voltage before you begin.
- Do not use strong, chemicals or abrasive cleaners.
- Luminaires are best cleaned with a slightly damp soft cloth and then immediately wipe with a dry soft cloth to prevent stains.