



MARETTI LIGHTING



Maretti Lighting
Bolderweg 7

1332 AX Almere
the Netherlands

T +31 (0) 36 532 66 12

E info@maretti.com
W www.maretti.com

Maretti Lighting is well-known in the World of interior design. In businesses, homes, store chains, and hospitality facilities all over the world, Maretti is unmistakable present with its project lighting that does more than just provide light. We make lighting an essential part of the interior. Maretti stands for stylish top quality and trendsetting design, modern, timeless and most of all, original.

Maretti Lighting works with all the top brands in the lighting industry, but we are especially notable for our own large product line and introduce our own brand name "Maretti". Our production team distinguishes itself time and time again with unique innovations from our own atelier and therefore our projects exude an entirely unique identity.

© Copyright Maretti Projectverlichting.

Our IM was made with the greatest of care. Nevertheless, the colours displayed in the IM may differ slightly from the real colours because of the printing process. Colour, size and range are subject to change. Nothing from this IM may be copied, reproduced and/or published by print, photocopy or in any other way without Maretti Lighting's written permission. All product and design copyrights belong to Maretti Lighting.

GUARANTEE TERMS AND CONDITIONS

The other party should inspect the delivered items immediately upon receipt with regard to its soundness. Entitlements to repair or replacement only exist if the other party

- In the case of visible defects, informs MPV of them immediately.

- In the case of defects that are not visible, informs MPV in writing of the defects, within 2 working days after the day the defects were found, or in all reason could have been found and furthermore demonstrates that the MPV instructions for use, maintenance and operation were followed, whilst the defects are not the consequence of normal wear and tear, misuse, negligence, accident, exceeding the limits prescribed by the MPV or by the legal safety regulations, or, in the case of a repair or change without MPV's consent or the consent of its recognised repairer, there will be no entitlement to repairs or replacement. The parts that have to be replaced must be made available free of charge to MPV. Noncompliance by the other party to one or more of its obligations will release MPV of all its guarantee obligations. In the case of assembly of the other party's own products by Maretti, MPV will release itself from all guarantee stipulations.

Moreover, our general delivery terms and conditions are applicable. These can be obtained from Maretti or can be downloaded from www.maretti.com

The installation must be done by a competent installer. Maretti recommends that your (outside) lighting and fixtures are inspected and maintained annually.

D: Für Garantiebedingungen bitte lesen Sie unsere Webseite www.maretti.com
E: Consulte nuestro sitio web para los condiciones de garantía www.maretti.com
FR: Consultez notre site web pour les conditions de garantie www.maretti.com
NL: Voor garantievoorwaarden zie onze website www.maretti.com

- 13.5499.COLOUR 1800X400X1000mm
- 13.5500.COLOUR 1800X400X1500mm
- 13.5504.COLOUR 1400X350X1000mm
- 13.5505.COLOUR 1400X350X1500mm
- 13.5510.COLOUR 1000X1000X2500mm
- 13.5514.COLOUR 800X800X1000mm
- 13.5515.COLOUR 800X800X1500mm
- 13.5519.COLOUR Ø600X1000mm
- 13.5520.COLOUR Ø600X1500mm

DREAM SUSPENDED

1/3



CEILING BASE:
BLACK
GLASS:
SMOKED GLASS

04

CEILING BASE:
STAINLESS STEEL
GLASS:
SMOKED GLASS

98

The Dream suspended is a handmade product. The specifications such as socket, wattage, etc. are manufactured according to clients functional demands or technical specifications, so we can fit the needs and requests of our customers.

230V	VOLTAGE
	INDOOR
IP20	IP RATING
	CE MARK

INFORMATION PER FIXTURE				
ART. NR.	COLOUR MATERIAL	SIZE	SOCKETS	STRINGS
13.5499.98	Ceiling base: Stainless steel Glass: Smoked glass	1800x400mm (Height:1000mm)	4xGU10	18 STRINGS
13.5500.98	Ceiling base: Stainless steel Glass: Smoked glass	1800x400mm (Height:1500mm)	4xGU10	18 STRINGS
13.5504.04	Ceiling base: Black Glass: Smoked glass	1400x350mm (Height:1000mm)	3xGU10	14 STRINGS
13.5504.98	Ceiling base: Stainless steel Glass: Smoked glass	1400x350mm (Height:1000mm)	3xGU10	14 STRINGS
13.5505.98	Ceiling base: Stainless steel Glass: Smoked glass	1400x350mm (Height:1500mm)	3xGU10	14 STRINGS
13.5510.98	Ceiling base: Stainless steel Glass: Smoked glass	1000x1000mm (Height:2500mm)	4xGU10	25 STRINGS
13.5514.98	Ceiling base: Stainless steel Glass: Smoked glass	800x800mm (Height:1500mm)	4xGU10	16 STRINGS
13.5515.98	Ceiling base: Stainless steel Glass: Smoked glass	800x800mm (Height:1500mm)	4xGU10	16 STRINGS
13.5519.98	Ceiling base: Stainless steel Glass: Smoked glass	Ø600mm (Height:1000mm)	3xGU10	7 STRINGS
13.5520.98	Ceiling base: Stainless steel Glass: Smoked glass	Ø600mm (Height:1500mm)	3xGU10	7 STRINGS

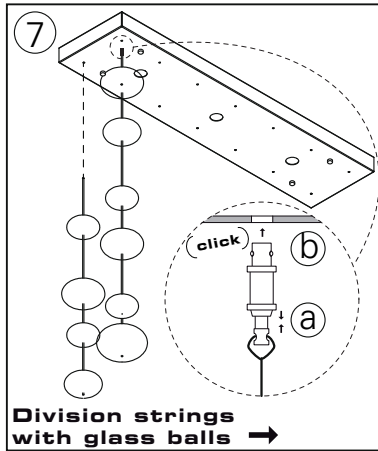
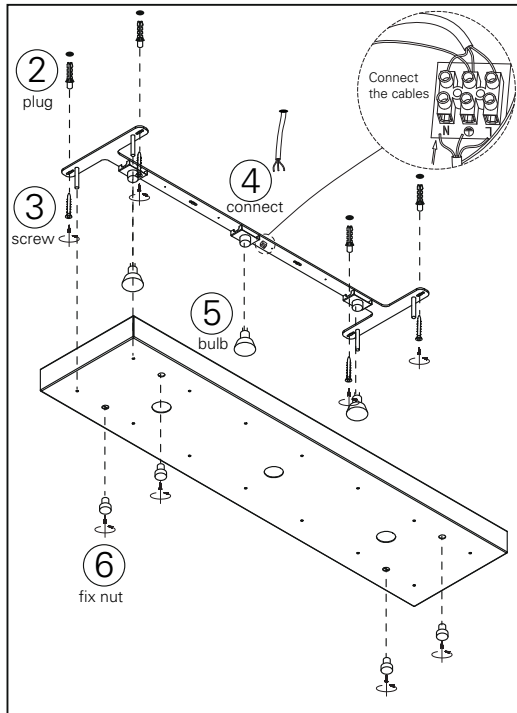
13.5499.COLOUR 1800X400X1000mm
13.5500.COLOUR 1800X400X1500mm
13.5504.COLOUR 1400X350X1000mm
13.5505.COLOUR 1400X350X1500mm
13.5510.COLOUR 1000X1000X2500mm

13.5514.COLOUR 800X800X1000mm
13.5515.COLOUR 800X800X1500mm
13.5519.COLOUR Ø600X1000mm
13.5520.COLOUR Ø600X1500mm

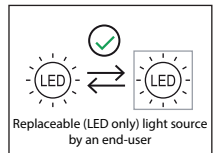
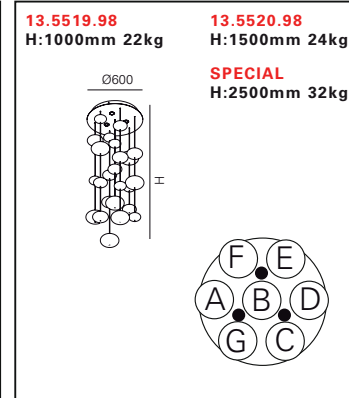
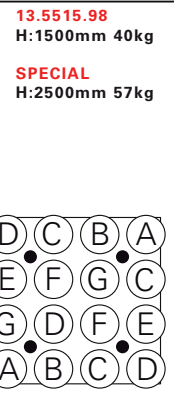
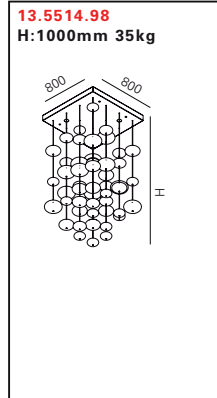
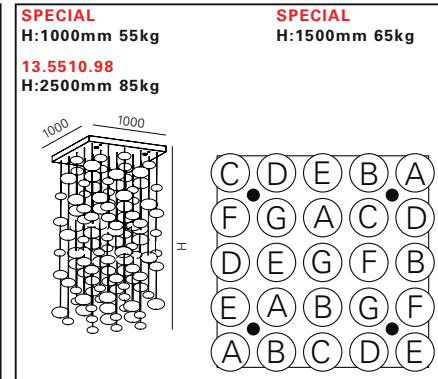
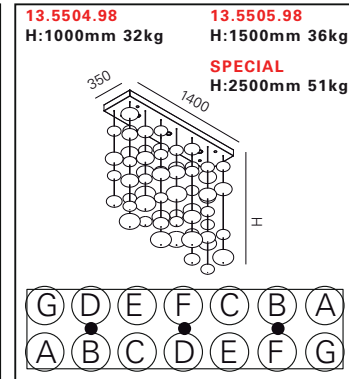
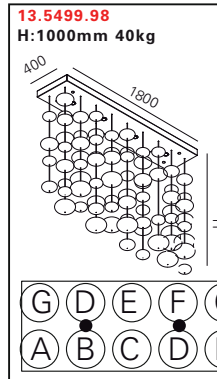
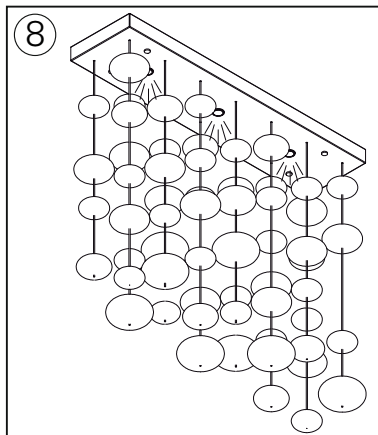
DREAM SUSPENDED INFO

7 Model

Division strings with glass balls



Division strings with glass balls →



LICHTBRON: APART VERKRIJGBAAR / LIGHT BULB: SEPARATE ORDER

ART. NR.	NAME	SOCKET	VOLTAGE	WATTAGE	KELVIN	LUMEN	CRI	BEAM ANGLE
21.8555.92 (INCL.)	DOMINGO 50 LED	GU10	230V	5,5W	CTA 2200-2800K	350 lm	Ra90	38°



LET OP:
 - Volg en bewaar deze gebruiksaanwijzing.
 - Zorg ervoor dat de netspanning uitgeschakeld is voor installatie, reparatie of onderhoud. (Installatie, reparatie en onderhoud uitsluitend door gekwalificeerde personen).
 - Voor reparatie of onderhoud uitsluitend originele delen gebruiken.
 - Gebruik het armatuur alleen binnenshuis.
 - Het armatuur niet in vochtige of natte ruimte gebruiken.

De fabrikant aanvaardt geen enkele aansprakelijkheid voor letsel of schade als gevolg van een verkeerde toepassing van het armatuur. De fabrikant aanvaardt geen garantie in geval van het niet behandelen van de lampen volgens de richtlijnen van de fabrikant. Als er schade aan elektrische onderdelen te vinden zijn, vraag dan een elektricien om het te vervangen.

Onderhoud is behoud:
 Een goede instandhouding van het armatuur is sterk afhankelijk van omgevings- en onderhoudsfactoren. Hierop kunnen wij geen invloed uitoefenen.

- Schakel voor de zekerheid de elektriciteit uit!
- Gebruik geen bijtende, chemische of schurende schoonmaakmiddelen.

NOTE:
 - Follow and keep this instructions manual.
 - Make sure that the mains voltage is switched off for installation, reparation or maintenance. (Installation, reparation and maintenance only by qualified persons).
 - Use only original parts for repairs or maintenance.
 - Use the fixture only indoors.
 - Don't use the fixture in humid or wet areas.

The manufacturer accepts no liability for any injuries or damages resulting from the incorrect use or installation of the fixture. Any operation performed on the fixture that is not in accordance with instructions will void manufacturer's warranty. If you find any damage to the electrical parts, please ask a qualified electrician to replace it.

Maintenance is preservation:
 A good preservation of the fixture is highly dependent on environmental factors and maintenance. We cannot exercise any influence on this.

- Make sure that the mains voltage is switched off before you begin.
- Do not use strong, chemicals or abrasive cleaners.

"No rights can be derived from the information provided on this Instruction Manual. Information on the Instruction Manual has been compiled with the utmost care and is updated on a continuous basis. Nevertheless Maretti cannot guarantee that all information is free of errors, complete or fully up to date."

13.5499.COLOUR 1800X400X1000mm
13.5500.COLOUR 1800X400X1500mm
13.5504.COLOUR 1400X350X1000mm
13.5505.COLOUR 1400X350X1500mm
13.5510.COLOUR 1000X1000X2500mm

13.5514.COLOUR 800X800X1000mm
13.5515.COLOUR 800X800X1500mm
13.5519.COLOUR Ø600X1000mm
13.5520.COLOUR Ø600X1500mm

DREAM SUSPENDED INFO

OPHANGSISTEEM STRENGEN 3 METER EN LANGER

3/3

OPMERKING!
OPHANGSISTEEM
STRENGEN 3 METER EN LANGER

NOTE!
SUSPENSION SYSTEM
WIRES 3 METERS AND LONGER



1 Aan uiteinde van de strengen zit deze bevestiging.



2 De bevestiging door gat in buis van het frame duwen.



3 De bevestiging bovenop frame doorsteken (optie1)



4 De bevestiging kan ook in het frame geplaatst worden. (optie2)



LET OP:

- Volg en bewaar deze gebruiksaanwijzing.
- Zorg ervoor dat de netspanning uitgeschakeld is voor installatie, reparatie of onderhoud. (Installatie, reparatie en onderhoud uitsluitend door gekwalificeerde personen).
- Voor reparatie of onderhoud uitsluitend originele delen gebruiken.
- Gebruik het armatuur alleen binnenshuis.
- Het armatuur niet in vochtige of natte ruimte gebruiken.

De fabrikant aanvaardt geen enkele aansprakelijkheid voor letsel of schade als gevolg van een verkeerde toepassing van het armatuur. De fabrikant aanvaardt geen garantie in geval van het niet behandelen van de lampen volgens de richtlijnen van de fabrikant. Als er schade aan elektrische onderdelen te vinden zijn, vraag dan een electricien om het te vervangen.

Onderhoud is behoud:

Een goede instandhouding van het armatuur is sterk afhankelijk van omgevings- en onderhoudsfactoren. Hierop kunnen wij geen invloed uitoefenen.

- Schakel voor de zekerheid de elektriciteit uit!
- Gebruik geen bijtende, chemische of schurende schoonmaakmiddelen.

NOTE:

- Follow and keep this instructions manual.
- Make sure that the mains voltage is switched off for installation, reparation or maintenance. (Installation, reparation and maintenance only by qualified persons).
- Use only original parts for repairs or maintenance.
- Use the fixture only indoors.
- Don't use the fixture in humid or wet areas.

The manufacturer accepts no liability for any injuries or damages resulting from the incorrect use or installation of the fixture. Any operation performed on the fixture that is not in accordance with instructions will void manufacturer's warranty. If you find any damage to the electrical parts, please ask a qualified electrician to replace it.

Maintenance is preservation:

A good preservation of the fixture is highly dependent on environmental factors and maintenance. We cannot exercise any influence on this.

- Make sure that the mains voltage is switched off before you begin.
- Do not use strong, chemicals or abrasive cleaners.

"No rights can be derived from the information provided on this Instruction Manual. Information on the Instruction Manual has been compiled with the utmost care and is updated on a continuous basis. Nevertheless Maretti cannot guarantee that all information is free of errors, complete or fully up to date."