



Maretti Lighting
Bolderweg 7

1332 AX Almere
the Netherlands

T +31 (0) 36 532 66 12
F +31 (0) 36 532 17 35

E info@maretti.com
W www.maretti.com

Maretti Lighting is well-known in the World of interior design. In businesses, homes, store chains, and hospitality facilities all over the world, Maretti is an unmistakable presence with its project lighting that does more than just provide light. We make lighting an essential part of the interior. Maretti stands for stylish top quality and trendsetting design, modern, timeless and most of all, original.

Maretti Lighting works with all the top brands in the lighting industry, but we are especially notable for our own large product line and introduce our own brand name "Maretti". Our production team distinguishes itself time and time again with unique innovations from our own atelier and therefore our projects exude an entirely unique identity.

© Copyright Maretti Projectverlichting.

Our IM was made with the greatest of care. Nevertheless, the colours displayed in the IM may differ slightly from the real colours because of the printing process. Colour, size and range are subject to change. Nothing from this IM may be copied, reproduced and/or published by print, photocopy or in any other way without Maretti Lighting's written permission. All product and design copyrights belong to Maretti Lighting.

GUARANTEE TERMS AND CONDITIONS

The other party should inspect the delivered items immediately upon receipt with regard to its soundness. Entitlements to repair or replacement only exist if the other party

- In the case of visible defects, informs MPV of them immediately.

- In the case of defects that are not visible, informs MPV in writing of the defects, within 2 working days after the day the defects were found, or in all reason could have been found and furthermore demonstrates that the MPV instructions for use, maintenance and operation were followed, whilst the defects are not the consequence of normal wear and tear, misuse, negligence, accident, exceeding the limits prescribed by the MPV or by the legal safety regulations, or, in the case of a repair or change without MPV's consent or the consent of its recognised repairer, there will be no entitlement to repairs or replacement. The parts that have to be replaced must be made available free of charge to MPV. Noncompliance by the other party to one or more of its obligations will release MPV of all its guarantee obligations. In the case of assembly of the other party's own products by Maretti, MPV will release itself from all guarantee stipulations.

Moreover, our general delivery terms and conditions are applicable. These can be obtained from Maretti or can be downloaded from www.maretti.com



The installation must be done by a competent installer. Maretti recommends that your (outside) lighting and fixture annually to be inspected and maintain. For maintenance advice: www.maretti.com/maintenance.html

D: Für garantiebdingungen bitte lesen sie unsere website www.maretti.com/guaranteee.html
E: Consulte nuestro sitio web para los condiciones de garantia www.maretti.com/guaranteee.html
FR: Consultez notre site web pour les conditions de garantie www.maretti.com/guaranteee.html
NL: Voor garantievvoorwaarden zie onze website www.maretti.com/guaranteee.html

13.5316.00

MOUNTING BOX FOR LUNA L



	INDOOR
	CE MARK

13.5316.00

MOUNTING BOX FOR LUNA L

INSTRUCTIONS

ACCESSORIES SEPARATE ORDER	BULB	CABLE
	30.4310.05.14 ADD26 8W 2700K	70.7510.04 P&P 12V 300 MM
	30.4401.01.14 ADD26 8W 3000K	
	PLASTER KIT	MOUNTING BOX
	13.5315.00	13.5316.00
	LUNA L (FIXTURE) 13.5312.15	
	DRIVER	
	19.7610.05 10W LED DRIVER 12V	
	19.7620.05 13W LED DRIVER SLIM 12V (STRAIN RELIEF)	

Stainless steel:
Stainless steel means that the material itself cannot oxidize, but can certainly attract oxidation from the environment.

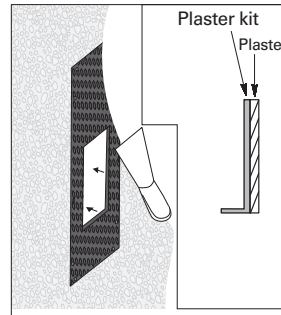
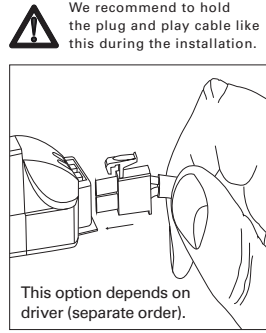
Maintenance
Greasy fingers, dirt, surface damage, sea air and iron dust nearby such highways and railroads or tramway, can damage the oxide layer of stainless steel and corrosion may arise. Good and regular maintenance of the stainless steel is required. We hereby advise to use only special chlorine free stainless steel cleaner. This cleaner forms a protective layer to the stainless steel.

Installation
Stainless steel has a natural property to create a protective layer. This 3-day process starts after removal of the protective film on the stainless steel. Due to harmful acids to the hands, the protective film can therefore only be removed with gloves. The material is during the process more vulnerable. Avoid therefore the abovementioned environmental factors and the touch, physically or through the air, with other metals. The stainless steel should be, after these 3 days, sprayed with a special chlorine free stainless steel cleaner and mounted with gloves.

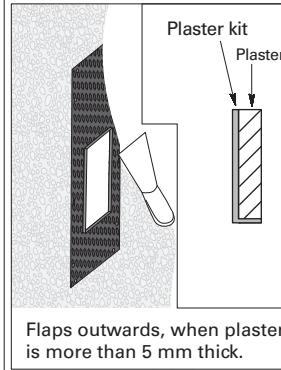
Warranty
A good preservation of the stainless steel is highly dependent on environmental factors and maintenance. Maretti Projectverlichting cannot exercise any influence on this. Therefore unfortunately we cannot give any guarantees that stainless steel does not corrode.

LET OP:
- Volg en bewaar deze gebruiksaanwijzing.
- Voor reparatie of onderhoud uitsluitend originele delen gebruiken.
- Gebruik het armatuur alleen binnenshuis.
- Het armatuur niet in vochtige of natte ruimte gebruiken.
- Uitsluitend op het etiket aangegeven lichtbronnen gebruiken.
De fabrikant aanvaardt geen enkele aansprakelijkheid voor letsel of schade als gevolg van een verkeerde toepassing van het armatuur.
De fabrikant aanvaardt geen garantie in geval van het niet behandelen van de lampen volgens de richtlijnen van de fabrikant.
Als er schade aan elektrische onderdelen te vinden zijn, vraag dan een electricien om het te vervangen.
Onderhoud is behoud:
Een goede instandhouding van het armatuur is sterk afhankelijk van omgevings- en onderhoudsfactoren. Hierop kunnen wij geen invloed uitoefenen.
Schakel voor de zekerheid de elektriciteit uit!
- Gebruik geen bijtende, chemische of schurende schoonmaakmiddelen.

NOTE:
- Follow and keep this instructions manual.
- Use only original parts for repairs or maintenance.
- Use the fixture only indoors.
- Don't use the fixture in humid or wet areas.
- Use only suitable light sources indicated on the label.
The manufacturer accepts no liability for any injuries or damages resulting from the incorrect use or installation of the fixture.
Any operation performed on the fixture that is not in accordance with instructions will void manufacturer's warranty. If you find any damage to the electrical parts, please ask a qualified electrician to replace it.
Maintenance is preservation:
A good preservation of the fixture is highly dependent on environmental factors and maintenance. We cannot exercise any influence on this.
Make sure that the mains voltage is switched off before you begin.
- Do not use strong, chemicals or abrasive cleaners.

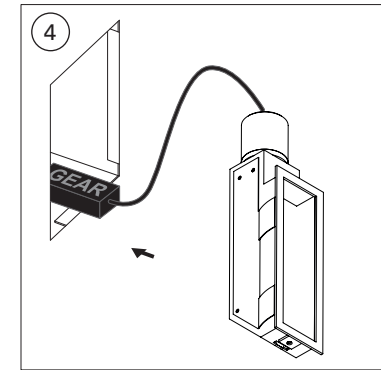
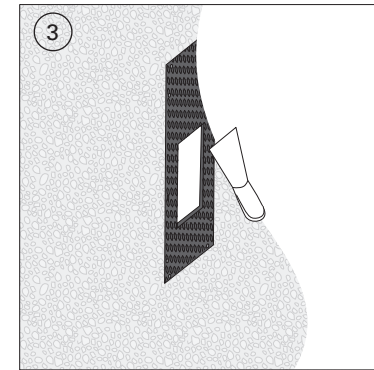
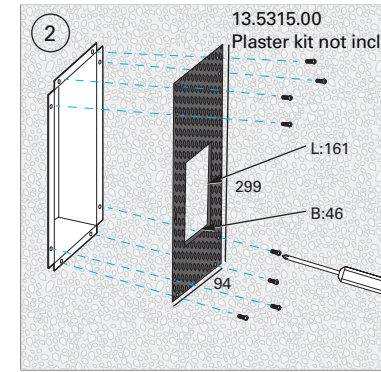
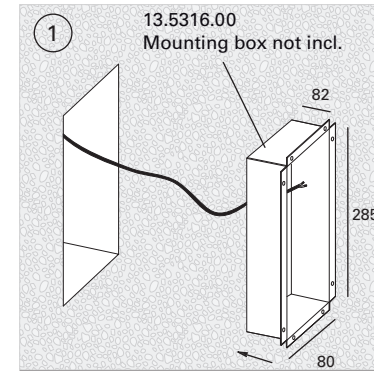


Flaps inwards, when plaster is less than 5 mm thick.

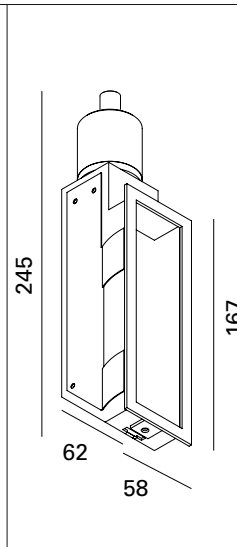
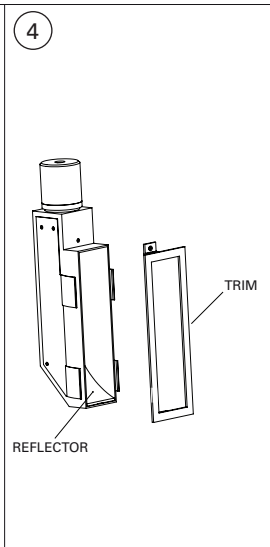
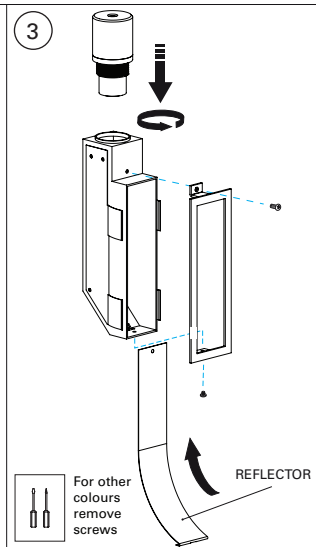
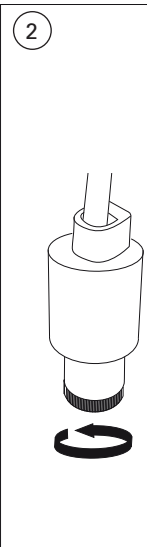
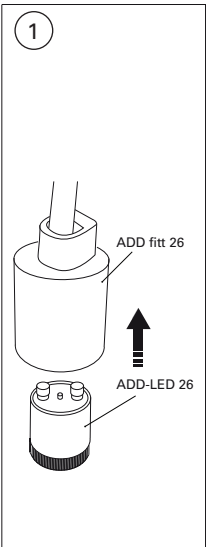
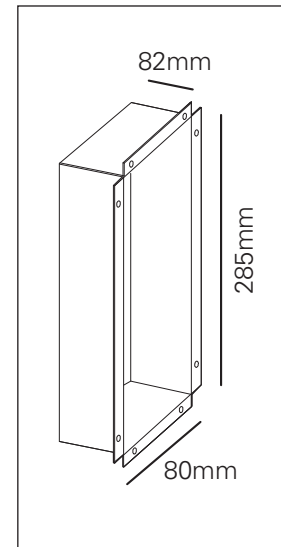
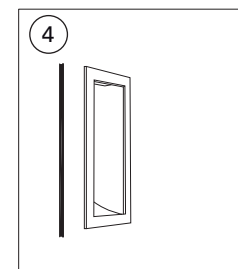
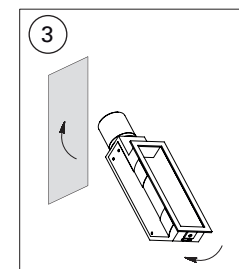
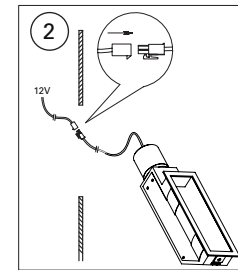
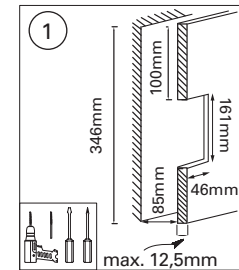


Flaps outwards, when plaster is more than 5 mm thick.

FOR MASSIVE WALL H:285 x B:80 x D:82mm



FOR HOLLOW WALL H:163,40 x B:48,40 x D:85mm



"No rights can be derived from the information provided on this Instruction Manual. Information on the Instruction Manual has been compiled with the utmost care and is updated on a continuous basis. Nevertheless Maretti cannot guarantee that all information is free of errors, complete or fully up to date."