

# brands concept



Maretti Lighting  
Bolderweg 7

1332 AX Almere  
the Netherlands

T +31 (0) 36 532 66 12  
F +31 (0) 36 532 17 35

E info@maretti.com  
W www.maretti.com

**POWERFUL DESIGN FUSING WITH ANY INTERIOR:** From the perspective of both interior architecture and product design, Brands-concept focuses on the total concept. Simplicity, natural and robust materials, and modern design; a Brands-concept product is designed to fuse with the interior.

© Copyright Maretti Projectverlichting.

Our IM was made with the greatest of care. Nevertheless, the colours displayed in the IM may differ slightly from the real colours because of the printing process. Colour, size and range are subject to change. Nothing from this IM may be copied, reproduced and/or published by print, photocopy or in any other way without Maretti Lighting's written permission. All product and design copyrights belong to Maretti Lighting.

#### GUARANTEE TERMS AND CONDITIONS

The other party should inspect the delivered items immediately upon receipt with regard to its soundness. Entitlements to repair or replacement only exist if the other party  
- In the case of visible defects, informs MPV of them immediately.  
- In the case of defects that are not visible, informs MPV in writing of the defects, within 2 working days after the day the defects were found, or in all reason could have been found and furthermore demonstrates that the MPV instructions for use, maintenance and operation were followed, whilst the defects are not the consequence of normal wear and tear, misuse, negligence, accident, exceeding the limits prescribed by the MPV or by the legal safety regulations, or, in the case of a repair or change without MPV's consent or the consent of its recognised repairer, there will be no entitlement to repairs or replacement. The parts that have to be replaced must be made available free of charge to MPV. Noncompliance by the other party to one or more of its obligations will release MPV of all its guarantee obligations. In the case of assembly of the other party's own products by Maretti, MPV will release itself from all guarantee stipulations. Moreover, our general delivery terms and conditions are applicable.

The installation must be done by a competent installer. Maretti recommends that your (outside) lighting and fixture annually to be inspected and maintain. For maintenance advice: [www.maretti.com/maintenance.html](http://www.maretti.com/maintenance.html)

D: Für Garantiebedingungen bitte lesen Sie unsere Webseite [www.maretti.com](http://www.maretti.com)  
E: Consulte nuestro sitio web para los condiciones de garantía [www.maretti.com](http://www.maretti.com)  
FR: Consultez notre site web pour les conditions de garantie [www.maretti.com](http://www.maretti.com)  
NL: Voor garantievoorwaarden zie onze website [www.maretti.com](http://www.maretti.com)

**13.3570.COLOUR** (3 LIGHTS / Ø400mm)  
**13.3572.COLOUR** (4 LIGHTS / Ø600mm)  
**13.3576.COLOUR** (6 LIGHTS / Ø1000mm)

**ASTOR  
SERIES**



BRONS

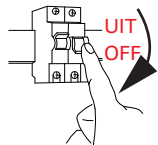


GENERAL INFORMATION						INFORMATION PERXTURE				
220V~ 240VAC	VOLTAGE	CTA	CTA DIMMABLE 1800-3000K	DEGREE BEAM ANGLE 25°		ART.NR.	DRIVER	WATTAGE	LUMEN	MILLI- AMPERE
0W	STANDBY POWER	Rat95	CRI	50.000 hours	LIFETIME LED	13.3570.03	INCL.	3x6W	3x517 lm	3x350 mA
	FIX LED (C.O.B.)		INDOOR	100.000	SWITCHING CYCLE	13.3572.03	INCL.	4x6W	4x517 lm	4x350 mA
0,9	POWER FACTOR	IP20	IP RATING		CE MARK	13.3576.03	INCL.	6x6W	6x517 lm	6x350 mA

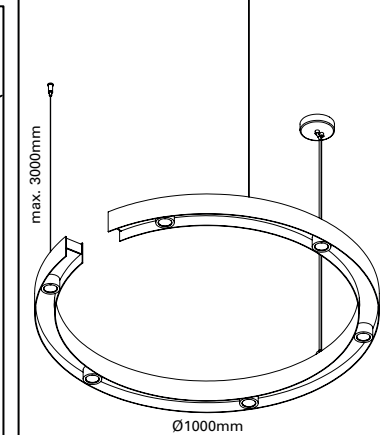
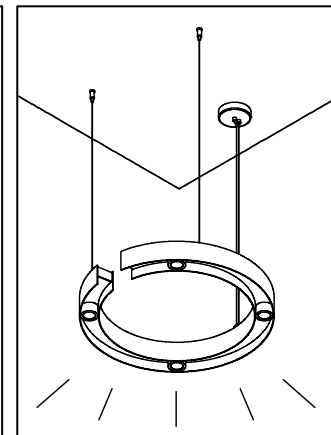
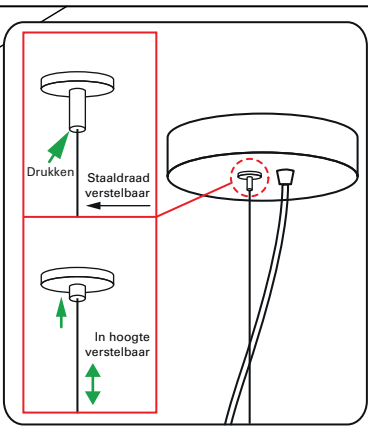
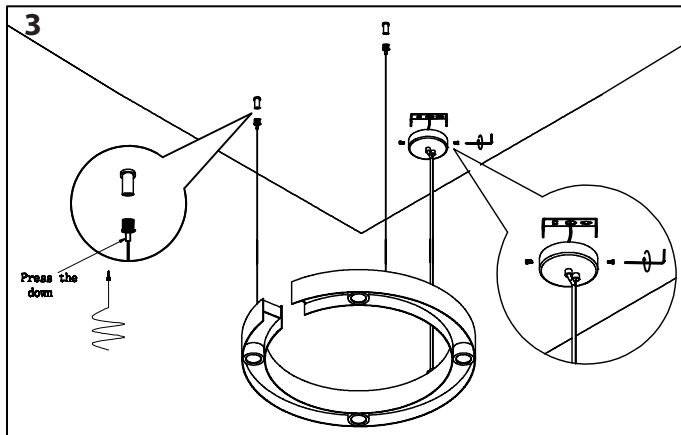
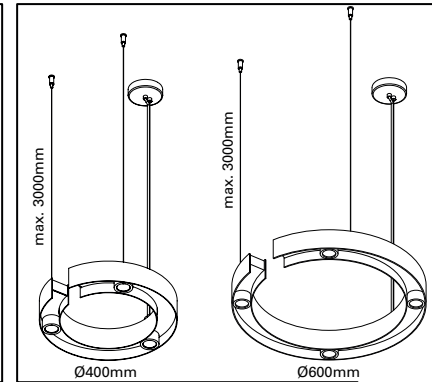
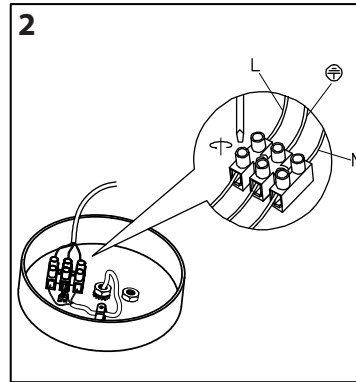
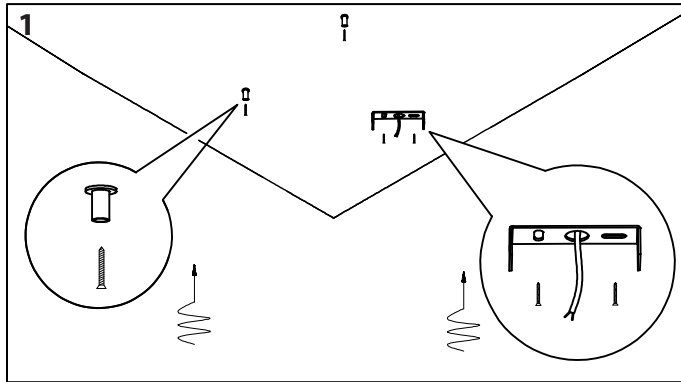
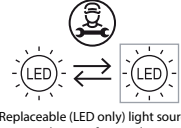
13.3570.COLOUR (3 LIGHTS / Ø400mm)  
 13.3572.COLOUR (4 LIGHTS / Ø600mm)  
 13.3576.COLOUR (6 LIGHTS / Ø1000mm)

# ASTOR SERIES

INFO.



Schakel altijd eerst de stroom uit voordat u installatie-, onderhoud of reparatiewerkzaamheden uitvoert.  
 Always switch off the mains voltage before carrying out installation, maintenance and repair work.

Replaceable (LED only) light source by a professional



Replaceable control gear by a professional



**LET OP:**  
 - Volg en bewaar deze gebruiksaanwijzing.  
 - Zorg ervoor dat de netspanning uitgeschakeld is voor installatie, reparatie of onderhoud. (Installatie, reparatie en onderhoud uitsluitend door gekwalificeerde personen).  
 - Voor reparatie of onderhoud uitsluitend originele delen gebruiken.  
 - Gebruik het armatuur alleen binnenshuis.  
 - Het armatuur niet in vochtige of natte ruimte gebruiken.

De fabrikant aanvaardt geen enkele aansprakelijkheid voor letsel of schade als gevolg van een verkeerde toepassing van het armatuur.  
 De fabrikant aanvaardt geen garantie in geval van het niet behandelen van de lampen volgens de richtlijnen van de fabrikant.  
 Als er schade aan elektrische onderdelen te vinden zijn, vraag dan een elektricien om het te vervangen.

**Onderhoud is behoud:**  
 Een goede instandhouding van het armatuur is sterk afhankelijk van omgevings- en onderhoudsfactoren. Hierop kunnen wij geen invloed uitoefenen.

- Schakel voor de zekerheid de elektriciteit uit!
- Gebruik geen bijtende, chemische of schurende schoonmaakmiddelen.

**NOTE:**  
 - Follow and keep this instructions manual.  
 - Make sure that the mains voltage is switched off for installation, reparation or maintenance. (Installation, reparation and maintenance only by qualified persons).  
 - Use only original parts for repairs or maintenance.  
 - Use the fixture only indoors.  
 - Don't use the fixture in humid or wet areas.

The manufacturer accepts no liability for any injuries or damages resulting from the incorrect use or installation of the fixture.  
 Any operation performed on the fixture that is not in accordance with instructions will void manufacturer's warranty.  
 If you find any damage to the electrical parts, please ask a qualified electrician to replace it.

**Maintenance is preservation:**  
 A good preservation of the fixture is highly dependent on environmental factors and maintenance. We cannot exercise any influence on this.

- Make sure that the mains voltage is switched off before you begin.
- Do not use strong, chemicals or abrasive cleaners.

"No rights can be derived from the information provided on this Instruction Manual. Information on the Instruction Manual has been compiled with the utmost care and is updated on a continuous basis. Nevertheless Maretti cannot guarantee that all information is free of errors, complete or fully up to date."