



BY ERIC KUSTER



Maretti Lighting
Bolderweg 7

1332 AX Almere
the Netherlands

T +31 (0) 36 532 66 12
F +31 (0) 36 532 17 35

E info@maretti.com
W www.maretti.com

Sophisticated and sexy - typical for both his designs and his personality; Eric Kuster, one of the hottest interior designers of the moment (the interior designer of the moment). With subtle mixes of luxury and comfort and his Metropolitan Luxury style, he focuses on the upscale market, both nationally and internationally. The cooperation with Maretti may be called a perfect symbiosis and is reflected in a line of luxury lighting fixtures.

© Copyright Maretti Projectverlichting.

Our IM was made with the greatest of care. Nevertheless, the colours displayed in the IM may differ slightly from the real colours because of the printing process. Colour, size and range are subject to change. Nothing from this IM may be copied, reproduced and/or published by print, photocopy or in any other way without Maretti Lighting's written permission. All product and design copyrights belong to Maretti Lighting.

GUARANTEE TERMS AND CONDITIONS

The other party should inspect the delivered items immediately upon receipt with regard to its soundness. Entitlements to repair or replacement only exist if the other party

- In the case of visible defects, informs MPV of them immediately.

- In the case of defects that are not visible, informs MPV in writing of the defects, within 2 working days after the day the defects were found, or in all reason could have been found and furthermore demonstrates that the MPV instructions for use, maintenance and operation were followed, whilst the defects are not the consequence of normal wear and tear, misuse, negligence, accident, exceeding the limits prescribed by the MPV or by the legal safety regulations, or, in the case of a repair or change without MPV's consent or the consent of its recognised repairer, there will be no entitlement to repairs or replacement.

The parts that have to be replaced must be made available free of charge to MPV.

Noncompliance by the other party to one or more of its obligations will release MPV of all its guarantee obligations.

In the case of assembly of the other party's own products by Maretti, MPV will release itself from all guarantee stipulations.

Moreover, our general delivery terms and conditions are applicable. These can be obtained from Maretti or can be downloaded from www.maretti.com

The installation must be done by a competent installer. Maretti recommends that your (outside) lighting and fixture annually to be inspect and maintain. For maintenance advice: www.maretti.com/onderhoudsadvies.html

D: Für garantiebedingungen bitte lesen sie unsere webseite www.maretti.com/guarantee.html
 E: Consulte nuestro sitio web para los condiciones de garantía www.maretti.com/guarantee.html
 FR: Consultez notre site web pour les conditions de garantie www.maretti.com/guarantee.html
 NL: Voor garantievoorwaarden zie onze website www.maretti.com/guarantee.html

13.1783.colour

**HUDSON WALL LAMP
UP/DOWN**



13.1783.03



13.1783.98

Bronze Smoke



MARETTI 13.1783

This luminaire is compatible with bulbs of the energy classes:

874/2012


230V	VOLTAGE	20	IP				
2x50W	WATTAGE MAX.		INDOOR				
	BULB NOT INCLUDED	CE	CE MARK				
GU10	SOCKET						

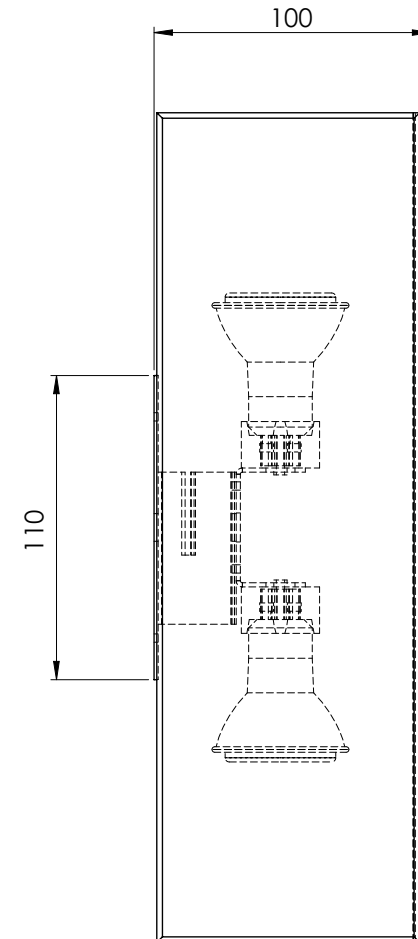
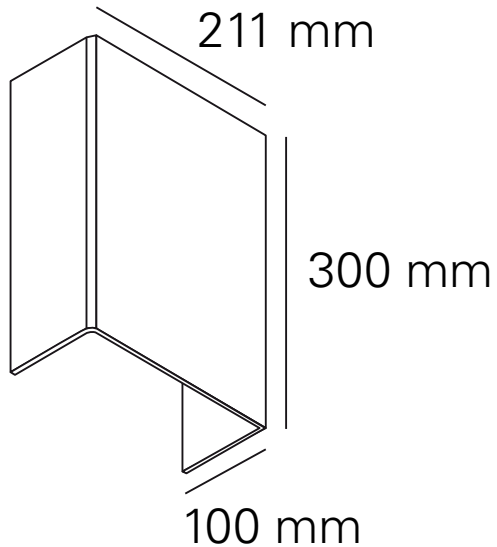
HUDSON WALL LAMP UP/DOWN

INSTRUCTION

ACCESSORIES
SEPARATE ORDER

BULB

Bulb (option)	Degree beam angle	Article number
 COLOMBIA LED GU10 5W 2700k RA82 380lm dimmable	38°	21.8271.07.A
HALOPAR 16 ECO 28W 2700K	30°	21.1087.14
HALOPAR 16 ECO 40W 2700K	30°	21.1090.14



NOTE:

- Follow and keep this instructions manual.
- Make sure that the mains voltage is switched off for installation or maintenance. (Installation and maintenance only by qualified persons).
- Use the fixture only indoors.
- Don't use the fixture in humid or wet areas.

The manufacturer accepts no liability for any injuries or damages resulting from the incorrect use or installation of the fixture.

Maintenance is preservation:

A good preservation of the fixture is highly dependent on environmental factors and maintenance. We cannot exercise any influence on this.

- Make sure that the mains voltage is switched off before you begin.
- Do not use strong, chemicals or abrasive cleaners.
- Luminaires are best cleaned with a slightly damp soft cloth and then immediately wipe with a dry soft cloth to prevent stains.

LET OP:

- Volg en bewaar deze gebruiksaanwijzing.
- Zorg ervoor dat de netspanning uitgeschakeld is voor installatie of onderhoud. (Installatie en onderhoud uitsluitend door gekwalificeerde personen).
- Gebruik het armatuur alleen binnenshuis.
- Het armatuur niet in vochtige of natte ruimte gebruiken.

De fabrikant aanvaardt geen enkele aansprakelijkheid voor letsel of schade als gevolg van een verkeerde toepassing van het armatuur.

Onderhoud is behoud:

Een goede instandhouding van het armatuur is sterk afhankelijk van omgevings- en onderhoudsfactoren. Hierop kunnen wij geen invloed uitoefenen.

- Schakel voor de zekerheid de elektriciteit uit!
- Gebruik geen bijtende, chemische middelen of schurende schoonmaakmiddelen.
- Armaturen kunnen het beste schoongemaakt worden met een zachte licht vochtige doek en direct daarna met een zachte licht droge doek wrijven i.v.m. "opdroog plekken".