



Maretti Lighting
Bolderweg 7

1332 AX Almere
the Netherlands

T +31 (0) 36 532 66 12

E info@maretti.com
W www.maretti.com

Maretti Lighting is well-known in the World of interior design. In businesses, homes, store chains, and hospitality facilities all over the world, Maretti is unmistakable present with its project lighting that does more than just provide light. We make lighting an essential part of the interior. Maretti stands for stylish top quality and trendsetting design, modern, timeless and most of all, original.

Maretti Lighting works with all the top brands in the lighting industry, but we are especially notable for our own large product line and introduce our own brand name "Maretti". Our production team distinguishes itself time and time again with unique innovations from our own atelier and therefore our projects exude an entirely unique identity.

© Copyright Maretti Projectverlichting.

Our IM was made with the greatest of care. Nevertheless, the colours displayed in the IM may differ slightly from the real colours because of the printing process. Colour, size and range are subject to change. Nothing from this IM may be copied, reproduced and/or published by print, photocopy or in any other way without Maretti Lighting's written permission. All product and design copyrights belong to Maretti Lighting.

GUARANTEE TERMS AND CONDITIONS

The other party should inspect the delivered items immediately upon receipt with regard to its soundness. Entitlements to repair or replacement only exist if the other party

- In the case of visible defects, informs MPV of them immediately.

- In the case of defects that are not visible, informs MPV in writing of the defects, within 2 working days after the day the defects were found, or in all reason could have been found and furthermore demonstrates that the MPV instructions for use, maintenance and operation were followed, whilst the defects are not the consequence of normal wear and tear, misuse, negligence, accident, exceeding the limits prescribed by the MPV or by the legal safety regulations, or, in the case of a repair or change without MPV's consent or the consent of its recognised repairer, there will be no entitlement to repairs or replacement. The parts that have to be replaced must be made available free of charge to MPV. Noncompliance by the other party to one or more of its obligations will release MPV of all its guarantee obligations. In the case of assembly of the other party's own products by Maretti, MPV will release itself from all guarantee stipulations.

Moreover, our general delivery terms and conditions are applicable. These can be obtained from Maretti or can be downloaded from www.maretti.com

The installation must be done by a competent installer. Maretti recommends that your (outside) lighting and fixtures are inspected and maintained annually.

D: Für Garantiebedingungen bitte lesen Sie unsere Webseite www.maretti.com
E: Consulte nuestro sitio web para las condiciones de garantía www.maretti.com
FR: Consultez notre site web pour les conditions de garantie www.maretti.com
NL: Voor garantievoorwaarden zie onze website www.maretti.com

11.1852.COLOUR

PORTOFINO 70 XS 2L

1/4



11.1852.04

11.1852.05

BLACK WHITE

04

05

50V AC/DC	VOLTAGE		INDOOR		ADJUSTABLE INSTALLATION KIT NOT INCLUDED		
max. 2x20W	MAX. WATTAGE	IP 20	IP RATING				
	LED BULB NOT INCLU- DED		LIGHT TWISTING				
	DRIVER NOT INCLUDED	CE	CE MARK				




VERSTELBARE MONTAGEKIT: APART VERKRIJGBAAR / ADJUSTABLE INSTALLATION KIT: SEPARATE ORDER

ART. NR.	NAAM / NAME	TE GEBRUIKEN VOOR / TO USE FOR	KLEUR / COLOUR
11.1857.05	VERSTELBARE MONTAGEKIT / ADJUSTABLE INSTALLATION KIT	2 LIGHTS	WIT / WHITE

LICHTBRON: APART VERKRIJGBAAR / LIGHT BULB: SEPARATE ORDER

ART. NR.	NAAM / NAME	SOCKET	VOLTAGE	WATTAGE	MILIAMPER	KELVIN	LUMEN	CRI	BUNDELHOEK / BEAM ANGLE
21.8230.82	CUSCO 70 FLAT LED	2 Pins P&P	36V DC	5,8W	160mA	CTA 2000-2700K	300 lm	Ra97	24°
21.8232.82	CUSCO 70 FLAT LED	2 Pins P&P	36V DC	5,8W	160mA	2700K	300 lm	Ra97	24°
ART. NR.	NAAM / NAME	SOCKET	VOLTAGE	WATTAGE	MILIAMPER	KELVIN	LUMEN	CRI	BUNDELHOEK / BEAM ANGLE
21.8411.92	QUITO 70 LED MODULE P&P	2 Pins P&P	36V DC	5,8W	160mA	CTA 2000-2700K	450 lm	Ra92	36°
21.8410.92	QUITO 70 LED MODULE P&P	2 Pins P&P	36V DC	5,8W	160mA	2700K	550 lm	Ra92	36°

DRIVERS: APART VERKRIJGBAAR / SEPARATE ORDER

ART. NR.	NAAM / NAME	WATTAGE	MILIAMPER	DIMMEN / DIMMING	AANTAL LICHTBRONNEN / NUMBER OF LIGHT BULBS
16.8100.0160. 	DRIVER P&P	4,8W – 6,7W	160mA	Leading trailing edge DIM.	1
16.7000.0160. 	DRIVER DALI INTEL P&P	0,4W – 7,2W	160mA	CTA DIM.	1
16.7108.0160. 	DRIVER DALI DUO P&P	2x 0,32 – 6,4W	160mA	CTA DIM.	2

E: Europlug
G: GST18
W: Winsta
Z: Geen plug

PLUG & PLAY CABLES APART VERKRIJGBAAR / SEPARATE ORDER

ART. NR.	NAAM / NAME	AFMETINGEN / DIMENSIONS
70.7125.05	LED KOPPELKABEL / LED COUPLING CABLE	L: 50cm 2x0,5mm ² mini amp for mA led
70.7127.05	LED KOPPELKABEL / LED COUPLING CABLE	L: 100cm 2x0,5mm ² mini amp for mA led
70.7130.05	LED KOPPELKABEL / LED COUPLING CABLE	L: 150cm 2x0,5mm ² mini amp for mA led


LET OP:

- Volg en bewaar deze gebruiksaanwijzing.
- Zorg ervoor dat de netspanning uitgeschakeld is voor installatie, reparatie of onderhoud. (Installatie, reparatie en onderhoud uitsluitend door gekwalificeerde personen).
- Voor reparatie of onderhoud uitsluitend originele delen gebruiken.
- Gebruik het armatuur alleen binnenshuis. Het armatuur niet in vochtige of natte ruimte gebruiken.
- Uitsluitend op het etiket aangegeven lichtbronnen gebruiken.

Wanneer u een spot inbouwt moet u rekening houden met de warmte en dus rekening houden met extra inbouwruimte rond je armatuur om eventuele schade te voorkomen. De fabrikant aanvaardt geen enkele aansprakelijkheid voor letsel of schade als gevolg van een verkeerde toepassing van het armatuur. De fabrikant aanvaardt geen garantie in geval van het niet behandelen van de lampen volgens de richtlijnen van de fabrikant. Als er schade aan elektrische onderdelen te vinden zijn, vraag dan een elektricien om het te vervangen.

Onderhoud is behoud:

- Een goede instandhouding van het armatuur is sterk afhankelijk van omgevings- en onderhoudsfactoren. Hierop kunnen wij geen invloed uitoefenen.
- Schakel voor de zekerheid de elektriciteit uit!
- Gebruik geen bijtende, chemische middelen of schurende schoonmaakmiddelen. Gebruik geen bijtende, chemische of schurende schoonmaakmiddelen.

NOTE:

- Follow and keep this instructions manual.
- Make sure that the mains voltage is switched off for installation, repair or maintenance. (Installation, repair and maintenance only by qualified persons).
- Use only original parts for repairs or maintenance.
- Use the fixture only indoors. Don't use the fixture in humid or wet areas.
- Use only suitable light sources indicated on the label.

Make sure you have at least as much space in your (false) ceiling. It is very important to give enough air cooling to avoid any damage.


The manufacturer accepts no liability for any injuries or damages resulting from the incorrect use or installation of the fixture. Any operation performed on the fixture that is not in accordance with instructions will void manufacturer's warranty. If you find any damage to the electrical parts, please ask a qualified electrician to replace it.

Maintenance is preservation:

- A good preservation of the fixture is highly dependent on environmental factors and maintenance. We cannot exercise any influence on this.
- Make sure that the mains voltage is switched off before you begin.
- Do not use strong, chemicals or abrasive cleaners.

*No rights can be derived from the information provided on this Instruction Manual. Information on the Instruction Manual has been compiled with the utmost care and is updated on a continuous basis. Nevertheless Maretti cannot guarantee that all information is free of errors, complete or fully up to date."

MONTAGE INSTRUCTIES IN VERLAAGD PLAFOND / MOUNTING INSTRUCTIONS IN LOWERED CEILING

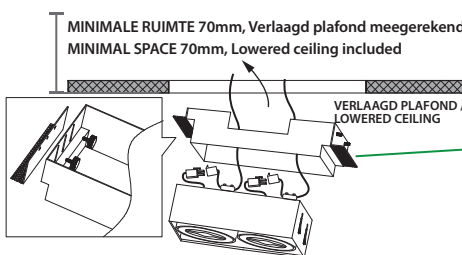


Schakel altijd eerst de stroom uit voordat u installatie-, onderhoud of reparatiewerkzaamheden uitvoert.

Always switch off the mains voltage before carrying out installation, maintenance and repair work.

VOORDAT U BEGINT / BEFORE YOU BEGIN

MINIMALE RUIMTE 70mm, Verlaagd plafond meegerekend / MINIMAL SPACE 70mm, Lowered ceiling included



VERLAAGD PLAFOND / LOWERED CEILING

Kit niet inbegrepen / Kit not included / Art. nr.: 11.1857.05

crossing view this part above plaster ceiling

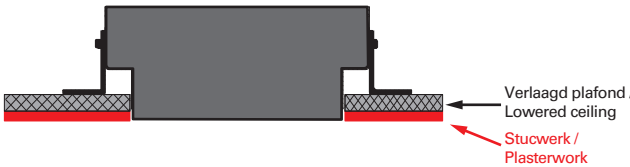
maximum ceiling 20mm

minimum ceiling 7mm

HEEL BELANGRIJK / VERY IMPORTANT

Afstand instellen afhankelijk van de dikte van de stucwerk, inbouwdeel graag gelijk aan de onderkant van de stucwerk houden

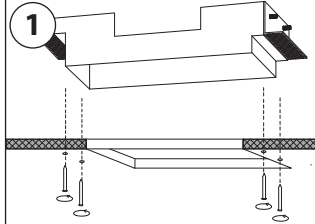
Setting distance depends on the plasterwork thickness, please keep the built-in part equal with the underside of the plasterwork



Verlaagd plafond / Lowered ceiling

Stucwerk / Plasterwork

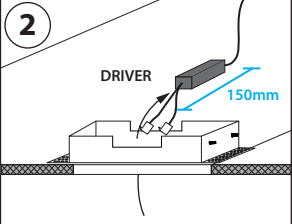
1



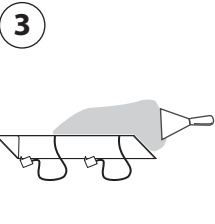
2

DRIVER

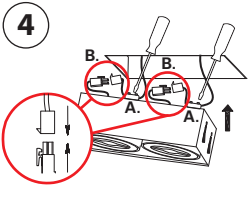
150mm



3



4



AFMETINGEN KIT / DIMENSIONS KIT

Opmerking: Deze kit is nodig om het product te kunnen installeren. / Note: This kit is needed to install the product.

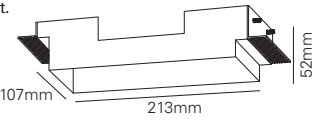
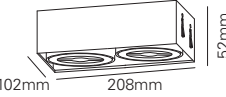
Zaagmaten met verstelbare montagekit / Cutting sizes with adjustable installation kit

L:215x B:108x H:70mm

(De witte kit niet inbegrepen / The white kit not included)

Art. nr.: 11.1857.05

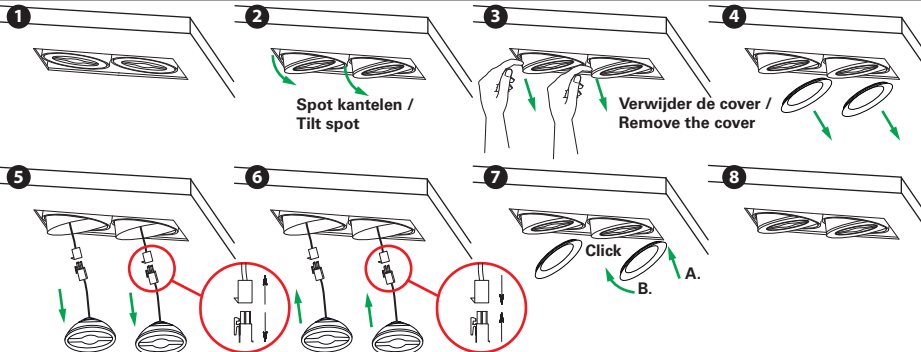
AFMETINGEN ARMATUREN / DIMENSIONS FIXTURES

LICHTBRON VERVANGEN / REPLACING LIGHT SOURCE (voorbeeld met de Cusco 70 flat / example with the Cusco 70 flat)

U kunt dezelfde stappen gebruiken voor de Quito 70 led module / You can use the same steps for the Quito 70 led module

DRIVER VERVANGEN / REPLACING DRIVER



1 Spot kantelen / Tilt spot

2 Spot kantelen / Tilt spot

3 Verwijder de cover / Remove the cover

4 Verwijder de cover / Remove the cover

5 Verwijder de cover / Remove the cover

6 Verwijder de cover / Remove the cover

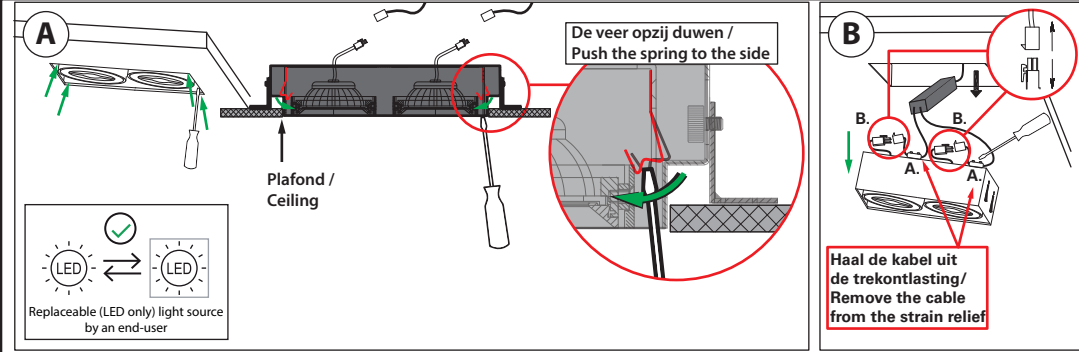
7 Verwijder de cover / Remove the cover

8 Verwijder de cover / Remove the cover

Click

A.

B.



A

De veer opzij duwen / Push the spring to the side

Plafond / Ceiling

Replaceable (LED only) light source by an end-user

B

Haal de kabel uit de trekontlasting / Remove the cable from the strain relief



- LET OP:**
- Volg en bewaar deze gebruiksaanwijzing.
 - Zorg ervoor dat de netspanning uitgeschakeld is voor installatie, reparatie of onderhoud. (Installatie, reparatie en onderhoud uitsluitend door gekwalificeerde personen).
 - Voor reparatie of onderhoud uitsluitend originele delen gebruiken.
 - Gebruik het armatuur alleen binnenshuis. Het armatuur niet in vochtige of natte ruimte gebruiken.
 - Uitsluitend op het etiket aangegeven lichtbronnen gebruiken.

Wanneer u een spot inbouwt moet u rekening houden met de warmte en dus rekening houden met extra inbouwruimte rond je armatuur om eventuele schade te voorkomen. De fabrikant aanvaardt geen enkele aansprakelijkheid voor letsel of schade als gevolg van een verkeerde toepassing van het armatuur. De fabrikant aanvaardt geen garantie in geval van het niet behandelen van de lampen volgens de richtlijnen van de fabrikant. Als er schade aan elektrische onderdelen te vinden zijn, vraag dan een elektricien om het te vervangen.

Onderhoud is behoud:
Een goede instandhouding van het armatuur is sterk afhankelijk van omgevings- en onderhoudsfactoren. Hierop kunnen wij geen invloed uitoefenen.
- Schakel voor de zekerheid de elektriciteit uit!
- Gebruik geen bijtende, chemische middelen of schurende schoonmaakmiddelen. Gebruik geen bijtende, chemische of schurende schoonmaakmiddelen.

- NOTE:**
- Follow and keep this instructions manual.
 - Make sure that the mains voltage is switched off for installation, repair or maintenance. (Installation, repair and maintenance only by qualified persons).
 - Use only original parts for repairs or maintenance.
 - Use the fixture only indoors. Don't use the fixture in humid or wet areas.
 - Use only suitable light sources indicated on the label.

Make sure you have at least as much space in your (false) ceiling. It is very important to give enough air cooling to avoid any damage.

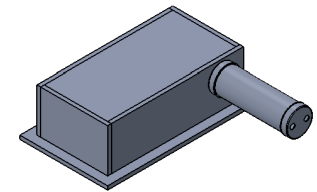
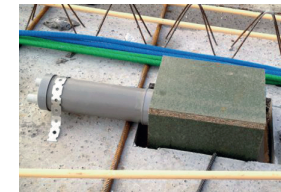
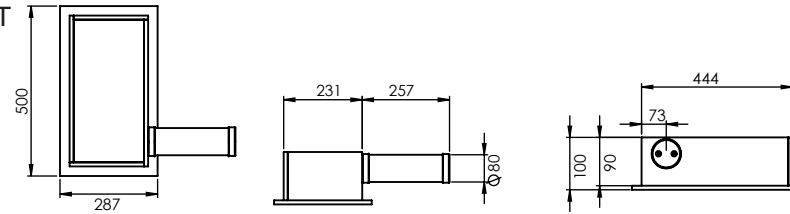
The manufacturer accepts no liability for any injuries or damages resulting from the incorrect use or installation of the fixture. Any operation performed on the fixture that is not in accordance with instructions will void manufacturer's warranty. If you find any damage to the electrical parts, please ask a qualified electrician to replace it.

Maintenance is preservation:
A good preservation of the fixture is highly dependent on environmental factors and maintenance. We cannot exercise any influence on this.
- Make sure that the mains voltage is switched off before you begin.
- Do not use strong, chemicals or abrasive cleaners.

"No rights can be derived from the information provided on this Instruction Manual. Information on the Instruction Manual has been compiled with the utmost care and is updated on a continuous basis. Nevertheless Maretti cannot guarantee that all information is free of errors, complete or fully up to date."

MEASUREMENTS: CONCRETE BOXES (note: The boxes can't be ordered separately; as they are produced on order basis, price on request). See below for more about concrete ceiling.

Measurements for the PORTOFINO 70 XS 2 LIGHT



MOUNTING INSTRUCTIONS IN CONCRETE CEILING

- 1**

2

Use the concrete stamp to support the box. You can remove the concrete stamp when the concrete is completely dried out.

Concrete stamp
- 3**

Remove the construction
- 4**

Put the driver into the PVC tube.

Height depends on the height of the stucco
- 5**
- 6**

PLASTER
- 7**

NOTE: See page 3 of the instruction manual for mounting instructions of the fixture and the adjustment kit



LET OP: Lees A.U.B. aandachtig de veiligheidsvoorschriften op pagina 2 en 3

NOTE: Please read carefully the safety warnings in page 2 and 3

"No rights can be derived from the information provided on this Instruction Manual. Information on the Instruction Manual has been compiled with the utmost care and is updated on a continuous basis. Nevertheless Maretti cannot guarantee that all information is free of errors, complete or fully up to date."