



# MARETTI LIGHTING



Maretti Lighting  
Bolderweg 7

1332 AX Almere  
the Netherlands

T +31 (0) 36 532 66 12

E info@maretti.com  
W www.maretti.com

Maretti Lighting is well-known in the World of interior design. In businesses, homes, store chains, and hospitality facilities all over the world, Maretti is unmistakable present with its project lighting that does more than just provide light. We make lighting an essential part of the interior. Maretti stands for stylish top quality and trendsetting design, modern, timeless and most of all, original.

Maretti Lighting works with all the top brands in the lighting industry, but we are especially notable for our own large product line and introduce our own brand name "Maretti". Our production team distinguishes itself time and time again with unique innovations from our own atelier and therefore our projects exude an entirely unique identity.

© Copyright Maretti Projectverlichting.

Our IM was made with the greatest of care. Nevertheless, the colours displayed in the IM may differ slightly from the real colours because of the printing process. Colour, size and range are subject to change. Nothing from this IM may be copied, reproduced and/or published by print, photocopy or in any other way without Maretti Lighting's written permission. All product and design copyrights belong to Maretti Lighting.

#### GUARANTEE TERMS AND CONDITIONS

The other party should inspect the delivered items immediately upon receipt with regard to its soundness. Entitlements to repair or replacement only exist if the other party

- In the case of visible defects, informs MPV of them immediately.

- In the case of defects that are not visible, informs MPV in writing of the defects, within 2 working days after the day the defects were found, or in all reason could have been found and furthermore demonstrates that the MPV instructions for use, maintenance and operation were followed, whilst the defects are not the consequence of normal wear and tear, misuse, negligence, accident, exceeding the limits prescribed by the MPV or by the legal safety regulations, or, in the case of a repair or change without MPV's consent or the consent of its recognised repairer, there will be no entitlement to repairs or replacement. The parts that have to be replaced must be made available free of charge to MPV. Noncompliance by the other party to one or more of its obligations will release MPV of all its guarantee obligations. In the case of assembly of the other party's own products by Maretti, MPV will release itself from all guarantee stipulations.

Moreover, our general delivery terms and conditions are applicable. These can be obtained from Maretti or can be downloaded from [www.maretti.com](http://www.maretti.com)

The installation must be done by a competent installer. Maretti recommends that your (outside) lighting and fixtures are inspected and maintained annually.

D: Für Garantiebedingungen bitte lesen Sie unsere Webseite [www.maretti.com](http://www.maretti.com)  
E: Consulte nuestro sitio web para los condiciones de garantía [www.maretti.com](http://www.maretti.com)  
FR: Consultez notre site web pour les conditions de garantie [www.maretti.com](http://www.maretti.com)  
NL: Voor garantievoorwaarden zie onze website [www.maretti.com](http://www.maretti.com)

11.1680.COLOUR

## PALERMO 70 XS 1L

1/4



BRONZE  
11.1680.03



BLACK  
11.1680.04



WHITE  
11.1680.05

BRONZE BLACK WHITE



50V AC/DC	VOLTAGE		INDOOR	<del></del>	ADJUSTABLE INSTALLATION KIT NOT INCLUDED		
max. 20W	MAX. WATTAGE	IP 20	IP RATING				
<del></del>	LED BULB NOT INCL.		LIGHT TWISTING				
<del></del>	DRIVER NOT INCLUDED		CE MARK				




**VERSTELBARE MONTAGEKIT: APART VERKRIJGBAAR / ADJUSTABLE INSTALLATION KIT: SEPARATE ORDER**

ART. NR.	NAAM / NAME	TE GEBRUIKEN VOOR / TO USE FOR	KLEUR / COLOUR
11.1690.05	VERSTELBARE MONTAGEKIT / ADJUSTABLE INSTALLATION KIT	1 LIGHTS	WIT / WHITE

**LICHTBRON: APART VERKRIJGBAAR / LIGHT BULB: SEPARATE ORDER**

ART. NR.	NAAM / NAME	SOCKET	VOLTAGE	WATTAGE	MILIAMPER	KELVIN	LUMEN	CRI	BUNDELHOEK / BEAM ANGLE
21.8230.82	CUSCO 70 FLAT LED	2 Pins P&P	36V DC	5,8W	160mA	CTA 2000-2700K	300 lm	Ra97	24°
21.8232.82	CUSCO 70 FLAT LED	2 Pins P&P	36V DC	5,8W	160mA	2700K	300 lm	Ra97	24°
ART. NR.	NAAM / NAME	SOCKET	VOLTAGE	WATTAGE	MILIAMPER	KELVIN	LUMEN	CRI	BUNDELHOEK / BEAM ANGLE
21.8411.92	QUITO 70 LED MODULE P&P	2 Pins P&P	36V DC	5,8W	160mA	CTA 2000-2700K	450 lm	Ra92	36°
21.8410.92	QUITO 70 LED MODULE P&P	2 Pins P&P	36V DC	5,8W	160mA	2700K	550 lm	Ra92	36°

**DRIVERS: APART VERKRIJGBAAR / SEPARATE ORDER**

ART. NR.	NAAM / NAME	WATTAGE	MILIAMPER	DIMMEN / DIMMING	AANTAL LICHTBRONNEN / NUMBER OF LIGHT BULBS
16.8100.0160. 	DRIVER P&P	4,8W – 6,7W	160mA	Leading trailing edge DIM.	1
16.7000.0160. 	DRIVER DALI INTEL P&P	0,4W – 7,2W	160mA	CTA DIM.	1
16.7108.0160. 	DRIVER DALI DUO P&P	2x 0,32 – 6,4W	160mA	CTA DIM.	2

**E:** Europlug  
**G:** GST18  
**W:** Winsta  
**Z:** Geen plug

**PLUG & PLAY CABLES APART VERKRIJGBAAR / SEPARATE ORDER**

ART. NR.	NAAM / NAME	AFMETINGEN / DIMENSIONS
70.7125.05	LED KOPPELKABEL / LED COUPLING CABLE	L: 50cm 2x0,5mm <sup>2</sup> mini amp for mA led
70.7127.05	LED KOPPELKABEL / LED COUPLING CABLE	L: 100cm 2x0,5mm <sup>2</sup> mini amp for mA led
70.7130.05	LED KOPPELKABEL / LED COUPLING CABLE	L: 150cm 2x0,5mm <sup>2</sup> mini amp for mA led


**LET OP:**

- Volg en bewaar deze gebruiksaanwijzing.
- Zorg ervoor dat de netspanning uitgeschakeld is voor installatie, reparatie of onderhoud. (Installatie, reparatie en onderhoud uitsluitend door gekwalificeerde personen).
- Voor reparatie of onderhoud uitsluitend originele delen gebruiken.
- Gebruik het armatuur alleen binnenshuis. Het armatuur niet in vochtige of natte ruimte gebruiken.
- Uitsluitend op het etiket aangegeven lichtbronnen gebruiken.

Wanneer u een spot inbouwt moet u rekening houden met de warmte en dus rekening houden met extra inbouwruimte rond je armatuur om eventuele schade te voorkomen. De fabrikant aanvaardt geen enkele aansprakelijkheid voor letsel of schade als gevolg van een verkeerde toepassing van het armatuur. De fabrikant aanvaardt geen garantie in geval van het niet behandelen van de lampen volgens de richtlijnen van de fabrikant. Als er schade aan elektrische onderdelen te vinden zijn, vraag dan een elektricien om het te vervangen.

**Onderhoud is behoud:**

- Een goede instandhouding van het armatuur is sterk afhankelijk van omgevings- en onderhoudsfactoren. Hierop kunnen wij geen invloed uitoefenen.
- Schakel voor de zekerheid de elektriciteit uit!
- Gebruik geen bijtende, chemische middelen of schurende schoonmaakmiddelen. Gebruik geen bijtende, chemische of schurende schoonmaakmiddelen.

**NOTE:**

- Follow and keep this instructions manual.
- Make sure that the mains voltage is switched off for installation, repair or maintenance. (Installation, repair and maintenance only by qualified persons).
- Use only original parts for repairs or maintenance.
- Use the fixture only indoors. Don't use the fixture in humid or wet areas.
- Use only suitable light sources indicated on the label.

Make sure you have at least as much space in your (false) ceiling. It is very important to give enough air cooling to avoid any damage.

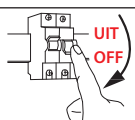
The manufacturer accepts no liability for any injuries or damages resulting from the incorrect use or installation of the fixture. Any operation performed on the fixture that is not in accordance with instructions will void manufacturer's warranty. If you find any damage to the electrical parts, please ask a qualified electrician to replace it.

**Maintenance is preservation:**

- A good preservation of the fixture is highly dependent on environmental factors and maintenance. We cannot exercise any influence on this.
- Make sure that the mains voltage is switched off before you begin.
- Do not use strong, chemicals or abrasive cleaners.

\*No rights can be derived from the information provided on this Instruction Manual. Information on the Instruction Manual has been compiled with the utmost care and is updated on a continuous basis. Nevertheless Maretti cannot guarantee that all information is free of errors, complete or fully up to date."

MONTAGE INSTRUCTIES IN VERLAAGD PLAFOND / MOUNTING INSTRUCTIONS IN LOWERED CEILING

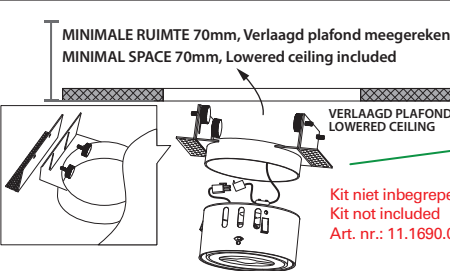


**Schakel altijd eerst de stroom uit voordat u installatie-, onderhoud of reparatiewerkzaamheden uitvoert.**

**Always turn off the power before performing installation, maintenance, or repair work.**

**VOORDAT U BEGINT / BEFORE YOU BEGIN**

MINIMALE RUIMTE 70mm, Verlaagd plafond meegerekend  
MINIMAL SPACE 70mm, Lowered ceiling included



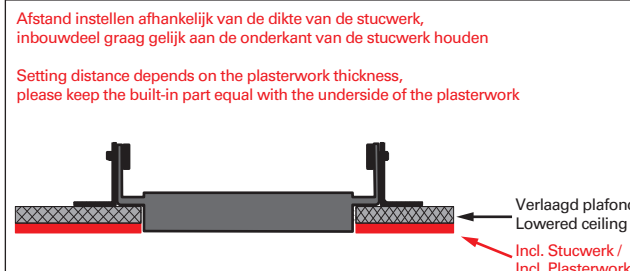
VERLAAGD PLAFOND / LOWERED CEILING

Kit niet inbegrepen  
Kit not included  
Art. nr.: 11.1690.05

**HEEL BELANGRIJK / VERY IMPORTANT**

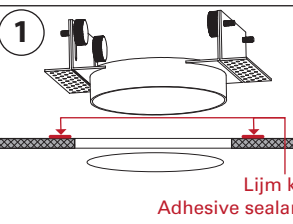
Afstand instellen afhankelijk van de dikte van de stucwerk, inbouwdeel graag gelijk aan de onderkant van de stucwerk houden

Setting distance depends on the plasterwork thickness, please keep the built-in part equal with the underside of the plasterwork



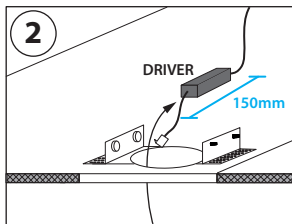
Verlaagd plafond / Lowered ceiling  
Incl. Stucwerk / Incl. Plasterwork

**1**



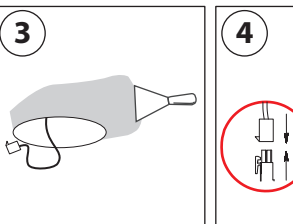
Lijm kit  
Adhesive sealant

**2**

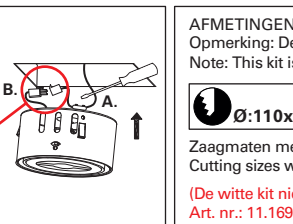


DRIVER  
150mm

**3**



**4**

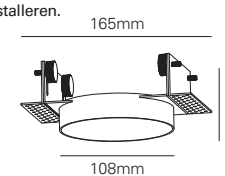


**AFMETINGEN KIT / DIMENSIONS KIT**  
Opmerking: Deze kit is nodig om het product te kunnen installeren.  
Note: This kit is needed to install the product.

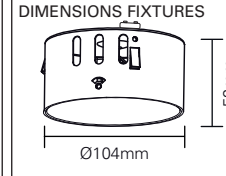
**Ø:110xH:70mm**

Zaagmaten met verstelbare montagekit /  
Cutting sizes with adjustable installation kit

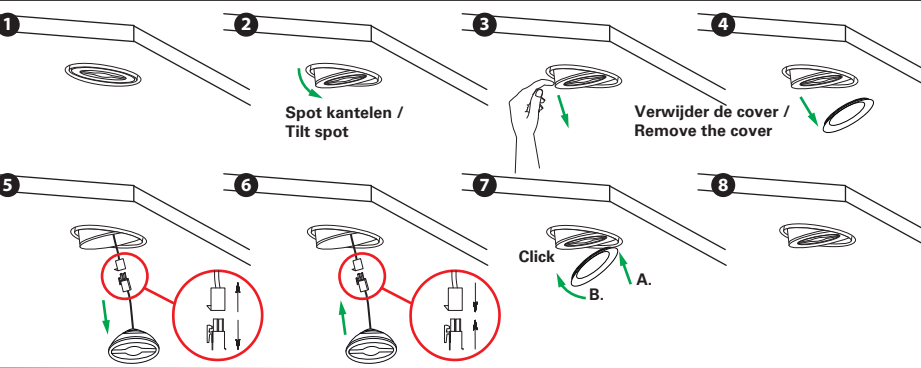
(De witte kit niet inbegrepen / The white kit not included)  
Art. nr.: 11.1690.05



**AFMETINGEN ARMATUREN / DIMENSIONS FIXTURES**



LICHTBRON VERVANGEN / REPLACING LIGHT SOURCE (voorbeeld met de Cusco 70 flat / example with the Cusco 70 flat) DRIVER VERVANGEN / REPLACING DRIVER  
 U kunt dezelfde stappen gebruiken voor de Quito 70 led module / You can use the same steps for the Quito 70 led module



Spot kantelen / Tilt spot

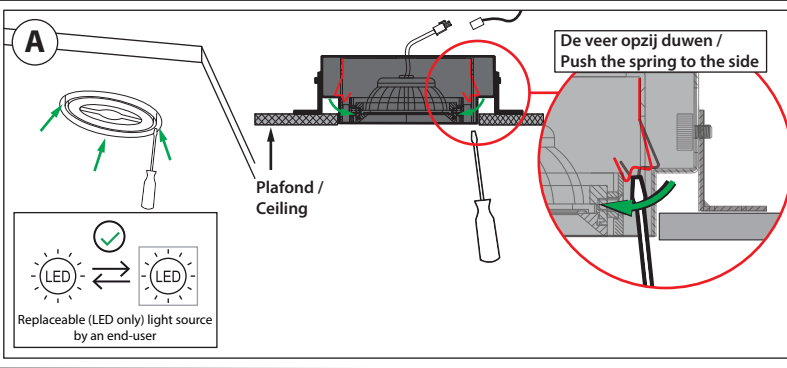
Verwijder de cover / Remove the cover

Click

A.

B.

**A**




De veer opzij duwen / Push the spring to the side

Plafond / Ceiling

Replaceable (LED only) light source by an end-user

**B**



Haal de kabel uit de trektoelating / Remove the cable from the strain relief

**! LET OP:**

- Volg en bewaar deze gebruiksaanwijzing.
- Zorg ervoor dat de netspanning uitgeschakeld is voor installatie, reparatie of onderhoud. (Installatie, reparatie en onderhoud uitsluitend door gekwalificeerde personen).
- Voor reparatie of onderhoud uitsluitend originele delen gebruiken.
- Gebruik het armatuur alleen binnenshuis. Het armatuur niet in vochtige of natte ruimte gebruiken.
- Uitsluitend op het etiket aangegeven lichtbronnen gebruiken.

Wanneer u een spot inbouwt moet u rekening houden met de warmte en dus rekening houden met extra inbouwruimte rond je armatuur om eventuele schade te voorkomen. De fabrikant aanvaardt geen enkele aansprakelijkheid voor letsel of schade als gevolg van een verkeerde toepassing van het armatuur. De fabrikant aanvaardt geen garantie in geval van het niet behandelen van de lampen volgens de richtlijnen van de fabrikant. Als er schade aan elektrische onderdelen te vinden zijn, vraag dan een elektricien om het te vervangen.

Onderhoud is behoud: Een goede instandhouding van het armatuur is sterk afhankelijk van omgevings- en onderhoudsfactoren. Hierop kunnen wij geen invloed uitoefenen.

- Schakel voor de zekerheid de elektriciteit uit!
- Gebruik geen bijtende, chemische middelen of schurende schoonmaakmiddelen. Gebruik geen bijtende, chemische of schurende schoonmaakmiddelen.

**NOTE:**

- Follow and keep this instructions manual.
- Make sure that the mains voltage is switched off for installation, repair or maintenance. (Installation, repair and maintenance only by qualified persons).
- Use only original parts for repairs or maintenance.
- Use the fixture only indoors. Don't use the fixture in humid or wet areas.
- Use only suitable light sources indicated on the label.

Make sure you have at least as much space in your (false) ceiling. It is very important to give enough air cooling to avoid any damage. The manufacturer accepts no liability for any injuries or damages resulting from the incorrect use or installation of the fixture. Any operation performed on the fixture that is not in accordance with instructions will void manufacturer's warranty. If you find any damage to the electrical parts, please ask a qualified electrician to replace it.

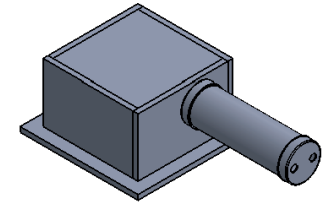
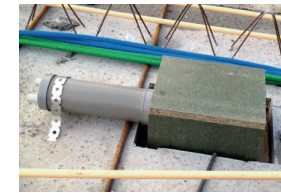
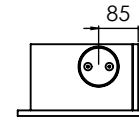
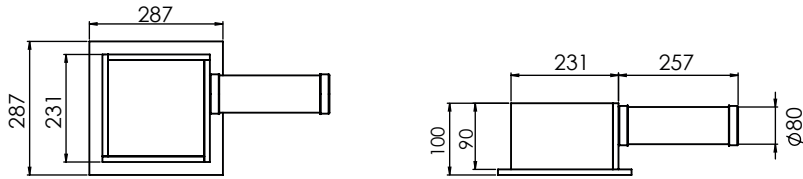
Maintenance is preservation: A good preservation of the fixture is highly dependent on environmental factors and maintenance. We cannot exercise any influence on this.

- Make sure that the mains voltage is switched off before you begin.
- Do not use strong, chemicals or abrasive cleaners.

"No rights can be derived from the information provided on this Instruction Manual. Information on the Instruction Manual has been compiled with the utmost care and is updated on a continuous basis. Nevertheless Maretti cannot guarantee that all information is free of errors, complete or fully up to date."

MEASUREMENTS: CONCRETE BOXES (note: The boxes can't be ordered separately; as they are produced on order basis, price on request). See below for more about concrete ceiling.

Measurements for the PORTOFINO 70 XS 1 LIGHT



## MOUNTING INSTRUCTIONS IN CONCRETE CEILING

- 1**

**2**

Use the concrete stamp to support the box. You can remove the concrete stamp when the concrete is completely dried out

Concrete stamp
- 3**

Remove the construction
- 4**

Put the driver into the PVC tube.

Hight depends on the hight of the stucco
- 5**
- 6**
- 7**

PLASTER

NOTE: See page 3 of the instruction manual for mounting instructions of the fixture and the adjustment kit



LET OP: Lees A.U.B. aandachtig de veiligheidsvoorschriften op pagina 2 en 3

NOTE: Please read carefully the safety warnings in page 2 and 3

"No rights can be derived from the information provided on this Instruction Manual. Information on the Instruction Manual has been compiled with the utmost care and is updated on a continuous basis. Nevertheless Maretti cannot guarantee that all information is free of errors, complete or fully up to date."