



Maretti Lighting
Bolderweg 7

1332 AX Almere
the Netherlands

T +31 (0) 36 532 66 12
F +31 (0) 36 532 17 35

E info@maretti.com
W www.maretti.com

Maretti Lighting is well-known in the World of interior design. In businesses, homes, store chains, and hospitality facilities all over the world, Maretti is unmistakable present with its project lighting that does more than just provide light. We make lighting an essential part of the interior. Maretti stands for stylish top quality and trendsetting design, modern, timeless and most of all, original.

Maretti Lighting works with all the top brands in the lighting industry, but we are especially notable for our own large product line and introduce our own brand name "Maretti". Our production team distinguishes itself time and time again with unique innovations from our own atelier and therefore our projects exude an entirely unique identity.

© Copyright Maretti Projectverlichting.

Our IM was made with the greatest of care. Nevertheless, the colours displayed in the IM may differ slightly from the real colours because of the printing process. Colour, size and range are subject to change. Nothing from this IM may be copied, reproduced and/or published by print, photocopy or in any other way without Maretti Lighting's written permission. All product and design copyrights belong to Maretti Lighting.

GUARANTEE TERMS AND CONDITIONS

The other party should inspect the delivered items immediately upon receipt with regard to its soundness. Entitlements to repair or replacement only exist if the other party

- In the case of visible defects, informs MPV of them immediately.

- In the case of defects that are not visible, informs MPV in writing of the defects, within 2 working days after the day the defects were found, or in all reason could have been found and furthermore demonstrates that the MPV instructions for use, maintenance and operation were followed, whilst the defects are not the consequence of normal wear and tear, misuse, negligence, accident, exceeding the limits prescribed by the MPV or by the legal safety regulations, or, in the case of a repair or change without MPV's consent or the consent of its recognised repairer, there will be no entitlement to repairs or replacement. The parts that have to be replaced must be made available free of charge to MPV. Noncompliance by the other party to one or more of its obligations will release MPV of all its guarantee obligations. In the case of assembly of the other party's own products by Maretti, MPV will release itself from all guarantee stipulations. Moreover, our general delivery terms and conditions are applicable. These can be obtained from Maretti or can be downloaded from www.maretti.com

The installation must be done by a competent installer. Maretti recommends that your (outside) lighting and fixtures are inspected and maintained annually.

D: Für Garantiebedingungen bitte lesen Sie unsere Webseite www.maretti.com
E: Consulte nuestro sitio web para los condiciones de garantía www.maretti.com
FR: Consultez notre site web pour les conditions de garantie www.maretti.com
NL: Voor garantievoorwaarden zie onze website www.maretti.com

10.5960.COLOUR.A

SLIDE 111 RECESSED SPOT



BLACK WHITE



GENERAL INFORMATION							
36 VDC	VOLTAGE	350mA	AMPERAGE		INDOOR		TWISTING
max. 50W	MAX. WATTAGE		CTA DIM. 2000-2900K	IP20	IP RATING		CE MARK
	12,6W BULB INCL.	Ra92	CRI		DEGREE BEAM ANGLE 24°		
	DRIVER NOT INCL.	700 lm	LUMEN		TURNING		

Accessories



Installation kit for the white Slide 111 1L

White

10.5971.05

Installation kit for the white Slide 111 2L

White

10.5972.05

Installation kit for the white Slide 111 3L

White

10.5973.05



Installation kit for the black Slide 111 1L

Black

10.5971.04

Installation kit for the black Slide 111 2L

Black

10.5972.04

Installation kit for the black Slide 111 3L

Black

10.5973.04

SLIDE 111 RECESSED SPOT

MOUNTING INSTRUCTIONS

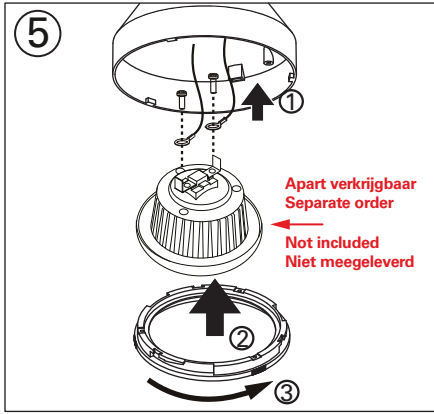
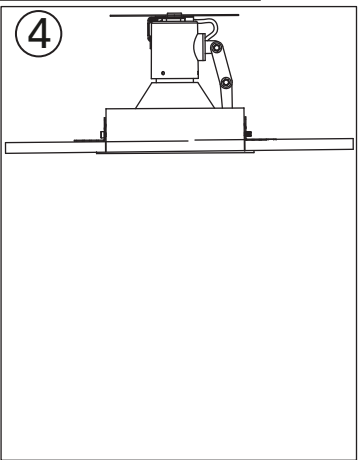
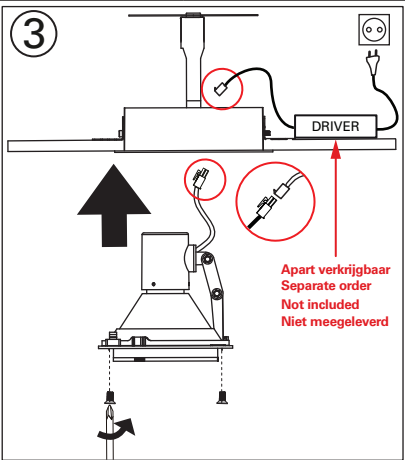
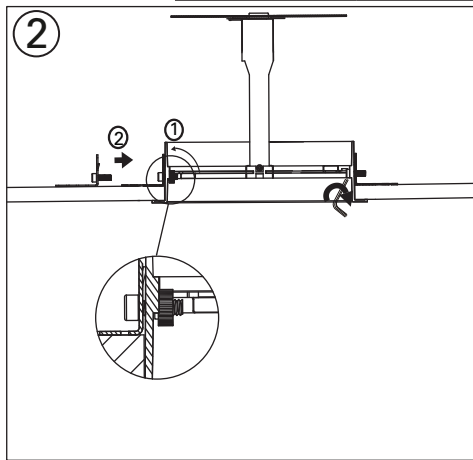
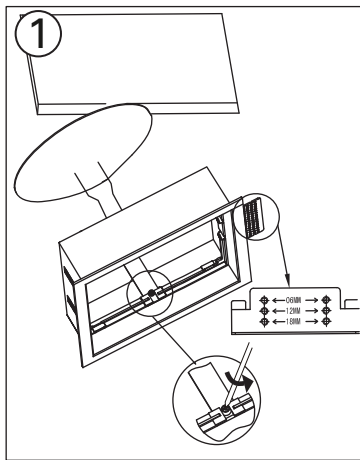
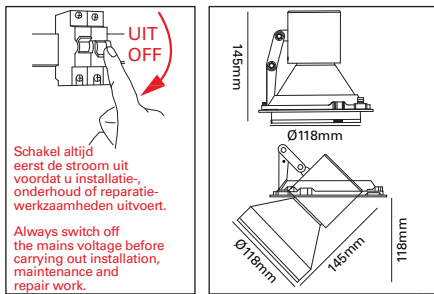
LICHTBRON: APART VERKRIJGBAAR / LED LAMPS: SEPARATE ORDER									
ART. NR.	NAAM / NAME	SOCKET	VOLTAGE	WATTAGE	MILIAMPER	KELVIN	LUMEN	CRI	BUNDELHOEK / BEAM ANGLE
21.8060.82.E	PALOMA 111 LED P&P	P&P	36V DC	12,6W	350mA	2700K	900 lm	Ra92	24°
21.8070.82.E	PALOMA 111 LED P&P	P&P	36V DC	12,6W	350mA	CTA 2000-3000K	750 lm	Ra98	24°

DRIVERS ZIJN APART VERKRIJGBAAR / SEPARATE ORDER					
ARTI. NR.	NAAM / NAME	WATTAGE	MILIAMPER	DIMMEN / DIMMING	AANTAL LICHTBRONNEN / NUMBER OF LIGHT LAMPS
16.8101.0350. E G W	DRIVER P&P	10,5W - 14,7W	350mA	Fase afsnij/Tronic (R.C)	1
16.7001.0350. G W Z	DRIVER DALI INTEL P&P	4W - 18W	350mA	DALI CTA/AM dimbaar	1
16.7103.0350. G W Z	DRIVER DALI MULTI MAXI P&P	4W - 39W	350mA	DALI CTA/AM dimbaar	1-2*

* CONNECTION BLOCK FOR 2 LED LAMPS APART VERKRIJGBAAR / SEPARATE ORDER		
ART. NR.	NAAM / NAME	INFO.
70.7115.05	CONNECTION BLOCK 3-V SERIES	P&P MALE + 2x70.7120.05 LED BRIDGE

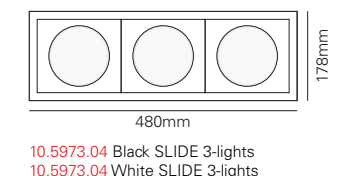
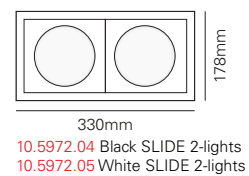
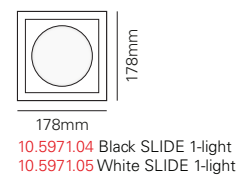
PLUG & PLAY CABLES APART VERKRIJGBAAR / SEPARATE ORDER		
ART. NR.	NAAM / NAME	AFMETINGEN / DIMENSIONS
70.7125.05	LED KOPPELKABEL / LED COUPLING CABLE	L: 50cm 2x0,5mm ² mini amp for mA led
70.7127.05	LED KOPPELKABEL / LED COUPLING CABLE	L: 100cm 2x0,5mm ² mini amp for mA led
70.7130.05	LED KOPPELKABEL / LED COUPLING CABLE	L: 150cm 2x0,5mm ² mini amp for mA led

E: Europlug
G: GST18
W: Winsta
Z: Geen plug



Installation kit (separate order)

Cut measurements (mm)		
10.5971.04		167x167
10.5972.04		167x318
10.5973.04		167x469



LET OP: Volg en bewaar deze gebruiksaanwijzing.
 - Zorg ervoor dat de netspanning uitgeschakeld is voor installatie, reparatie of onderhoud. (Installatie, reparatie en onderhoud uitsluitend door gekwalificeerde personen).
 - Voor reparatie of onderhoud uitsluitend originele delen gebruiken. Probeer het product niet zelf te demonteren en te repareren, onjuiste reparaties kunnen het product beschadigen en elektrische schokken veroorzaken wat tot ernstig letsel kan leiden.
 - Gebruik het armatuur alleen binnenshuis.
 - Het armatuur niet in vochtige of natte ruimte gebruiken.
 - Uitsluitend op het etiket aangegeven lichtbronnen gebruiken.

Wanneer u een spot inbouwt moet u rekening houden met de warmte en dus rekening houden met extra inbouwruimte rond je armatuur om eventuele schade te voorkomen.

De fabrikant aanvaardt geen enkele aansprakelijkheid voor letsel of schade als gevolg van een verkeerde toepassing van het armatuur. De fabrikant aanvaardt geen garantie in geval van het niet behandelen van de lampen volgens de richtlijnen van de fabrikant. Als er schade aan elektrische onderdelen te vinden zijn, vraag dan een electricien om het te vervangen.

Onderhoud is behoud:
 Een goede instandhouding van het armatuur is sterk afhankelijk van omgevings- en onderhoudsfactoren. Hierop kunnen wij geen invloed uitoefenen.
 - Schakel voor de zekerheid de elektriciteit uit!
 - Gebruik geen agressieve, schurende of chemische schoonmaakmiddelen.

NOTE: Follow and keep this instructions manual.
 - Make sure that the mains voltage is switched off before installation, reparation or maintenance. (Installation, reparation and maintenance only by qualified persons).
 - Use only original parts for repairs or maintenance. Never attempt to disassemble, repair or alter the product in any way, improper repairs could damage the product causing electrical shocks which may cause serious injury.
 - Use the fixture only indoors.
 - Don't use the fixture in humid or wet areas.
 - Use only suitable light sources indicated on the label.

Make sure you have at least as much space in your (false) ceiling. It is very important to give enough air cooling to avoid any damage.

The manufacturer accepts no liability for any injuries or damages resulting from the incorrect use or installation of the fixture. Any operation performed on the fixture that is not in accordance with instructions will void manufacturer's warranty. If you find any damage to the electrical parts, please ask a qualified electrician to replace it.

Maintenance is preservation:
 A good preservation of the fixture is highly dependent on environmental factors and maintenance. We cannot exercise any influence on this.
 - Make sure that the mains voltage is switched off before you begin.
 - Do not use strong, chemicals or abrasive cleaners.